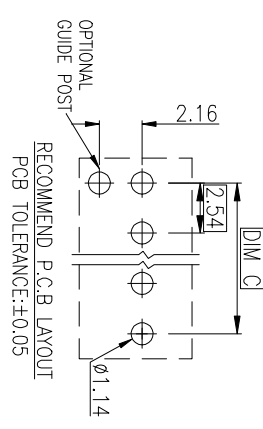
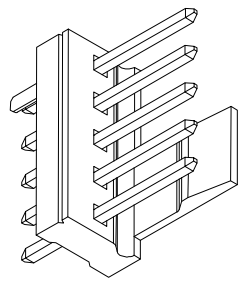
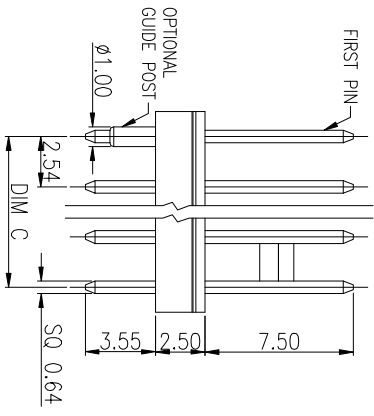
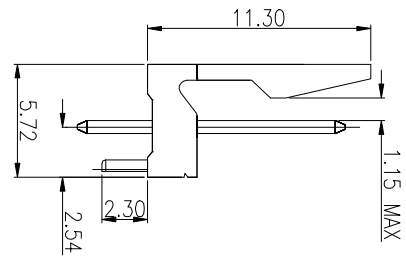
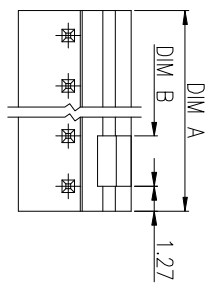
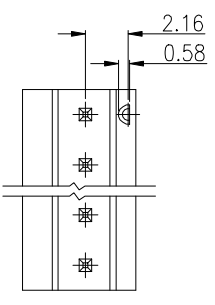


REV.	DESCRIPTION	DATE	DWN	AP/D
A	RELEASED	15JUL10	MD	DZ
A1	更改新图框	10MAY2011	BH	



NOTE:  
 1.MATERIAL:  
 HOUSING: (SEE TABLE) UL 94V-0 COLOR: (SEE TABLE)  
 POSTS: BRASS  
 2.FINISH: 100μ" MIN. (SEE TABLE) TIN OVER 50μ" MIN.  
 NICKEL PLATED.  
 3.ELECTRICAL:  
 CONTACT RESISTANCE: 40 MILLIOHMS MAX.  
 INSULATION RESISTANCE: 1000 MEGOHMS MIN.  
 DIELECTRIC WITHSTANDING: 500V AC.  
 CURRENT RATING: 2.5A MAX.  
 VOLTAGE RATING: 500V AC/DC MAX.  
 4.ENVIRONMENTAL:  
 OPERATING TEMPERATURE: -40° TO +85°C.

POST OF FOURTHLY PIN	POLES	LOCALITY	OLD PRAT NO.	HOUSING MATERIAL	HOUSING COLOR	TERMINAL PLATING	DIM A	DIM B	DIM C
1*5	14*4								
11-0002-07				ORANGE(159C)	BRIGHT TIN		12.70	10.16	10.16
11-0002-06				WHITE					
11-0002-05				BLACK					
11-0002-04				NYLON 6T					
11-0002-03				RED (Q32C)	MATTE TIN		10.16	7.62	7.62
11-0002-02				RED(186)					
11-0002-01				NYLON 66					
				BLUE(293C)					



**Zhongxiang Electron Science CO.,LTD**

2.54 WAFER CONNECTOR

FINISH SEE NOTE  
 PROJECTION SEE NOTE

MATERIAL SEE NOTE  
 ANGLES ± 3°

PRODUCT SPEC  
 AP/D 10MAY2011

APPLICATOR SEE NOTE  
 WEIGHT

DIMENSIONS: MM

SIZE: A3  
 DRAWING NO: C-11-0002  
 CUSTOMER DRAWING

SCALE: 1:1  
 SHEET: 1 OF 1  
 REV: A1

RESTRICTED TO

TOLERANCES UNLESS OTHERWISE SPECIFIED:  
 0 PLC ± 0.3  
 1 PLC ± 0.2  
 2 PLC ± 0.15  
 3 PLC ± 0.15

AP/D: Bourne\_Hu, Gao\_Yin, Chen, 10MAY2011

8 7 6 5 4 3 2 1