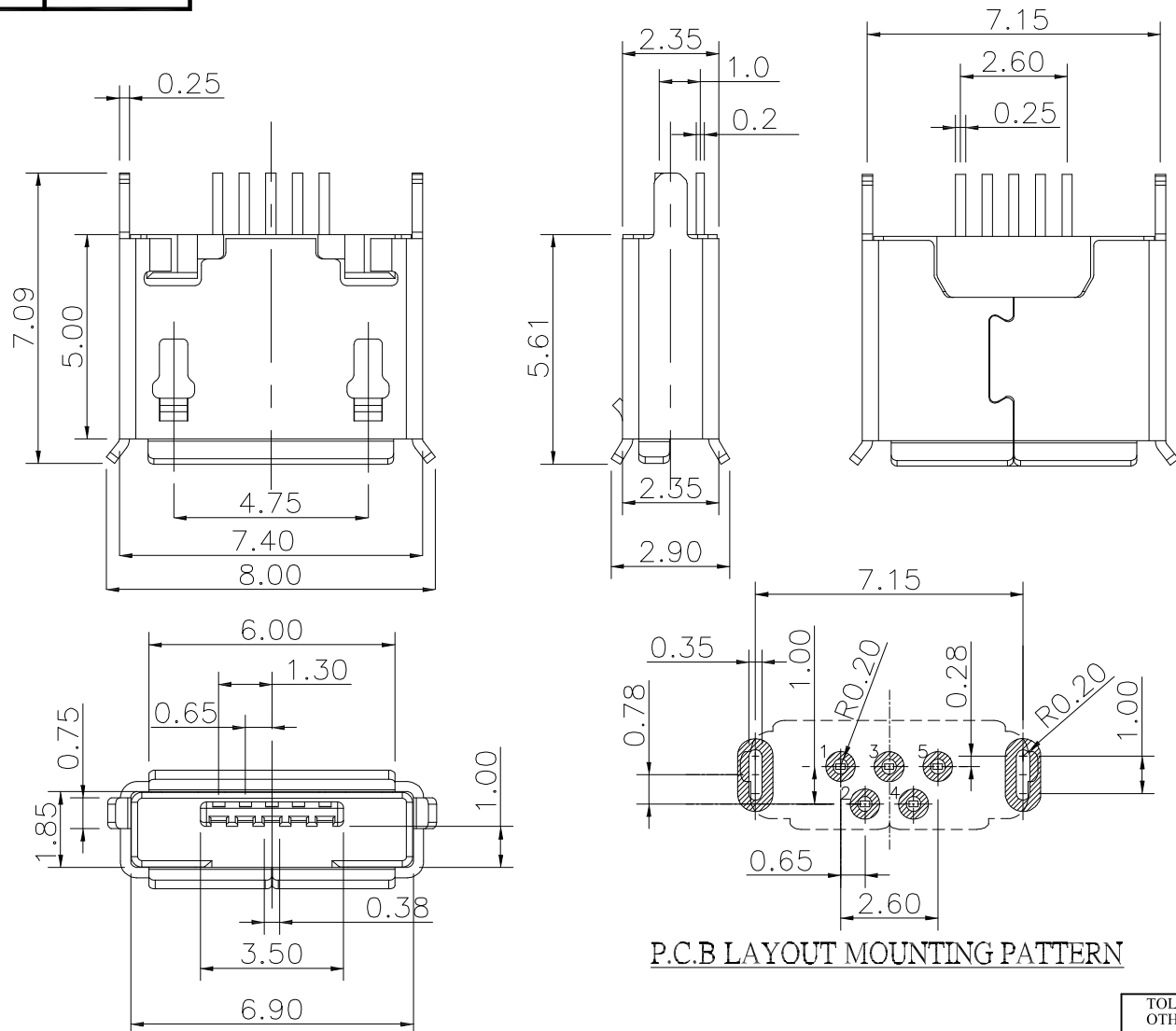


**RoHS**  
2002/95/EC



SPECIFICATIONS

- 1.Electrical:  
 Contact resistance : 50m ohms max.  
 Dielectric withstanding voltage : 250 VAC RMS.  
 Insulation resistance : 1,000M ohms min.
- 2.Mechanical:  
 Mate and unmate force:  
 Mate force : 3.57kg MAX  
 Unmate force : 1.02kg MIN  
 Durability : 5,000cycles MIN.
- 3.Environment:  
 Operating Temperature : -20°C to +85°C.



J-I020-060 L 05 A B XX 01  
 L Plating A5:Gold 30u"  
 A1:Gold 1u"  
 Color B:Black  
 Packing A:REEL Without CAP

P.C.B LAYOUT MOUNTING PATTERN

| NO. | DESCRIPTION | QTY | MATERIAL | COLOR | REMARK       |
|-----|-------------|-----|----------|-------|--------------|
| 3   | Shell       | 1   | SUS      | -     | Tin Plating  |
| 2   | Terminal    | 5   | BRASS    | -     | Gold Plating |
| 1   | Housing     | 1   | LCP      | BLACK | UL94V-0      |

| REV. | DATE       | DESCRIPTION         | CHANGE | APVD | APVD |
|------|------------|---------------------|--------|------|------|
| R3   | 2013/05/16 | Add packing drawing | JOHN   |      |      |
| R2   | 2012/12/21 | Add Au 1u" P/N      | JOHN   |      |      |
| R1   | 2012/12/12 | Modify Note P/N     | WEI    |      |      |
| RO   | 2012/11/20 | NEW                 | WEI    |      |      |

TOLERANCES UNLESS OTHERWISE SPECIFIED  
 X. ±0.30 X.° ±2°  
 .X ±0.25 X.X° ±1°  
 .XX ±0.15  
 .XXX ±0.10

**JS** HAOGUO(Zhongxiang) Limited Company

Customers Drawing

TITEL: MICRO USB AB TYPE VERTICAL

Part NO. J-I020-060L05ABXX01 Scale 1 : 1

Old Part No. Sheet 1 of 2

UNIT mm SIZE A4 Third Angle Projection

