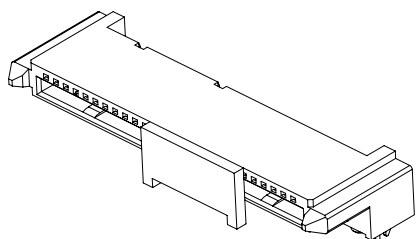
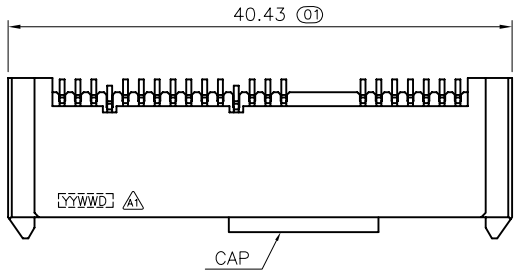
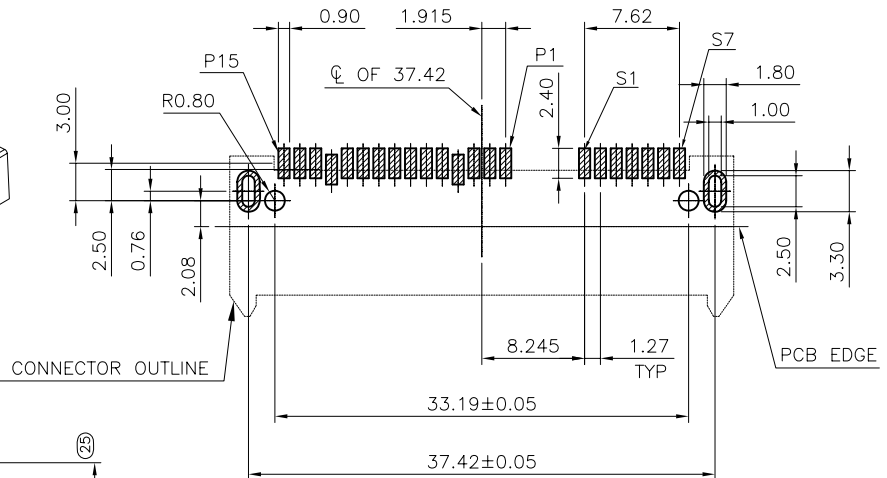


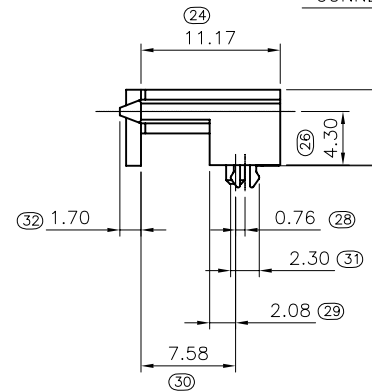
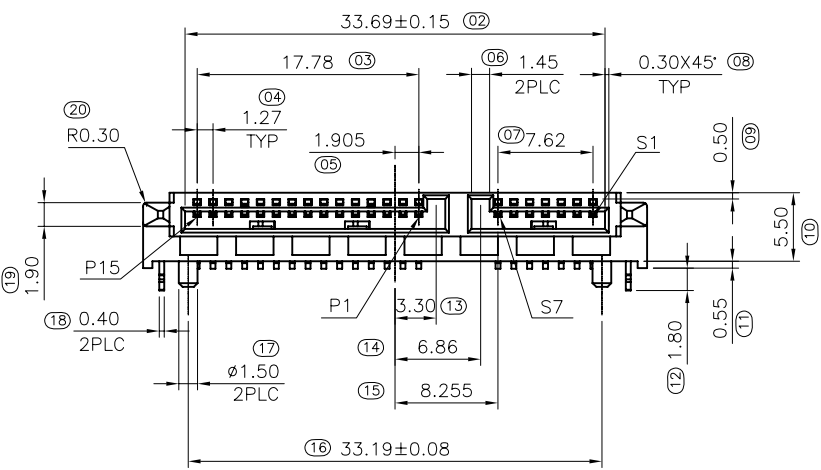
REV.	DESCRIPTION	DATE	DWN	APVD
A	RELEASED	24NOV2011	Lee	WZ
A1	△	22MAR2012	Lee	WZ



3D view

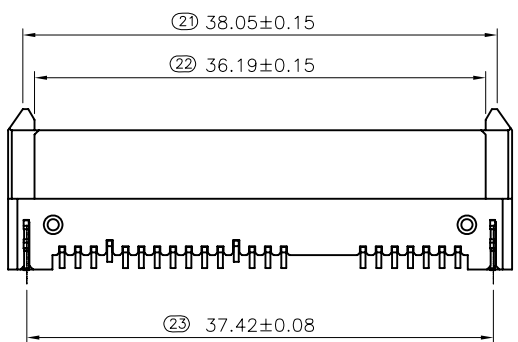


TOLERANCE: ±0.05, THICKNESS: 1.0mm
RECOMMENDED PCB LAYOUT (TOP VIEW)



- NOTE:
- MATERIAL:
HOUSING: LCP, UL 94V-0, BLACK COLOR.
CAP: LCP, UL 94V-0, BLACK COLOR.
CONTACTS: PHOSPHOR BRONZE, T=0.25mm
BOARDLOCK: BRASS, T=0.40mm
 - FINISH:
CONTACTS: (SEE TABLE) GOLD PLATED ON CONTACT AREA, 100μ" MIN. MATTE-TIN ON SOLDER TAIL, WITH ENTIRE CONTACT UNDERPLATED 50μ" MIN. NICKEL.
BOARDLOCK: 100μ" MIN. BRIGHT-TIN OVER 50μ" MIN. NICKEL PLATED.

3. DATE CODE COLOR (暖灰7C)
YYWWDD
— DAY
— WEEK
— YEAR



0.762μm [30μ"]	09-0126-03
0.381μm [15μ"]	09-0126-02
GOLD FLASH	09-0126-01
MIN. GOLD THICKNESS	PART NUMBER

TOLERANCES UNLESS OTHERWISE SPECIFIED: 0 PLC ± - 1 PLC ± 0.3 2 PLC ± 0.2 3 PLC ± 0.15 4 PLC ± - ANGLES ± 3°	DWN Abel 24NOV2011 CHK CIYONG JIANG 24NOV2011 APVD Wei_ZHANG 24NOV2011	Zhongxiang Electron Science CO.,LTD	
MATERIAL SEE NOTE	APPLICATION SPEC	NAME	
FINISH SEE NOTE	WEIGHT - GRAMS	SATA CONNECTOR, 22 POSITION, RIGHT ANGLE, SMT,	
PROJECTION	DIMENSIONS: MM	SIZE A3	DRAWING NO C-09-0126
		CUSTOMER DRAWING	RESTRICTED TO -
		SCALE -	SHEET 1 of 1
			REV A1