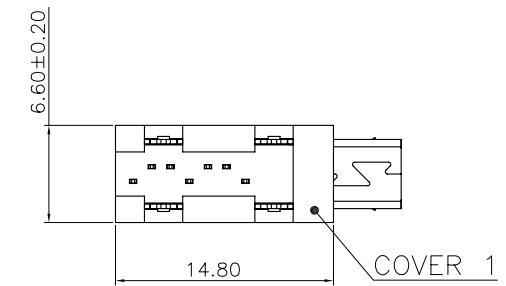
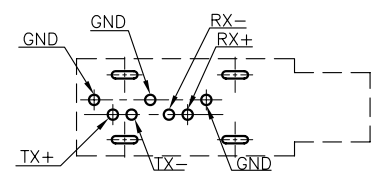
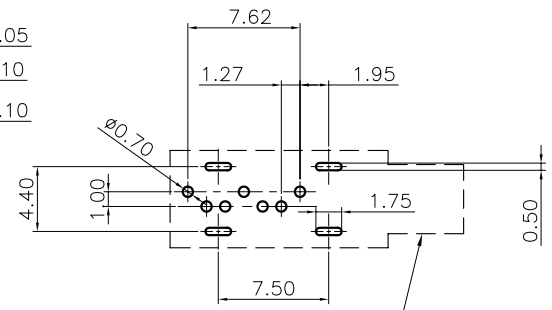
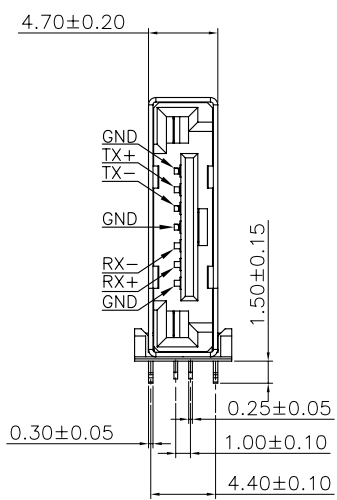
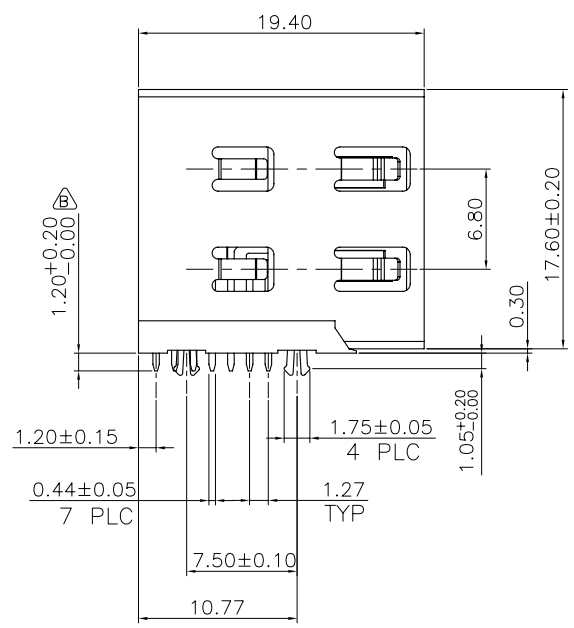
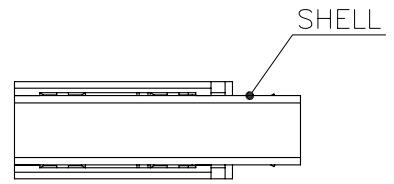


REV.	DESCRIPTION	DATE	DWN	APVD
A1		22FEB2012	Lee	WZ
B	ECN-12032201	22MAR2012	Lee	WZ

NOTES:

- 1.MATERIAL:
 - 1.1 HOUSING & COVER : LCP+30%GF, UL94V-0; BLACK COLOR.
 - 1.2 CONTACT & SHELL: COPPER ALLOY .
- 2.FINISH:
 - 2.1 CONTACT: (SEE TABLE) GOLD PATING ON CONTACT AREA, TIN 100m" MIN. ON SOLDER TAIL . WITH ENTIRE CONTACT UNDERPLATED 50m" MIN. NICKEL .
 - 2.2 SHELL: PLATED 50m" MIN. NICKEL .
- 3.ELECTRICAL:
 - 3.1 CONTACT RESISTANCE: 45 mΩE MAX. .
 - 3.2 DIELECTRIC WITHSTANDING VOLTAGE: 500V AC .
 - 3.3 CURRENT RATING: 1.5A .
 - 3.7 VOLTAGE RATING: 12V AC.
- 4.ENVIRONMENTAL::
 - 4.2 OPERATING TEMPERATURE: -25°C TO +85°C



TOLERANCE: ±0.05, THICKNESS: 1.0mm
 RECOMMENDED PCB LAYOUT
 (TOP VIEW)

[G/F]	J09-0366-01	C-09-0116-01
MIN. GOLD	OLD NO	PART NUMBER

TOLERANCES UNLESS OTHERWISE SPECIFIED: 0 PLC ± - 1 PLC ± 0.3 2 PLC ± 0.2 3 PLC ± 0.15 4 PLC ± - ANGLES ± 3°	DWN Jackson_Lee 09NOV2011	Zhongxiang Electron Science CO.,LTD	
	CHK CIYONG_JIANG 09NOV2011		
MATERIAL SEE NOTE	APVD Wei_zhang 09NOV2011	NAME E-SATA 7PIN公座四周无边 侧插式90度DIP型	
FINISH SEE NOTE	APPLICATION SPEC	SIZE A3	DRAWING NO C-09-0116
PROJECTION	DIMENSIONS: mm	CUSTOMER DRAWING	RESTRICTED TO -
		SCALE 1:1	SHEET 1 OF 1
			REV B