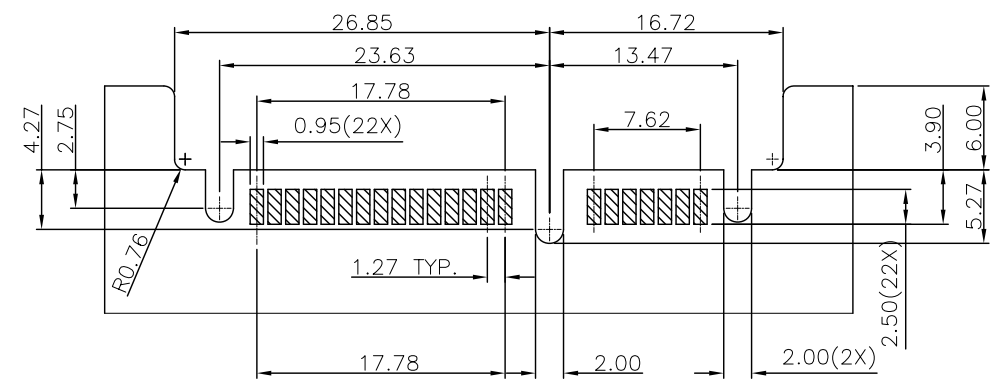
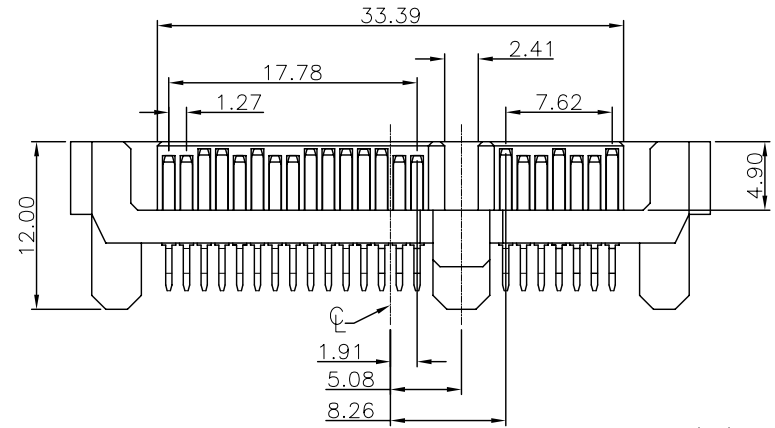
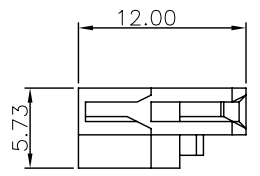
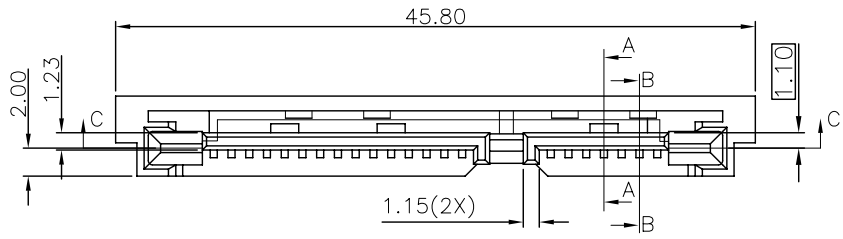
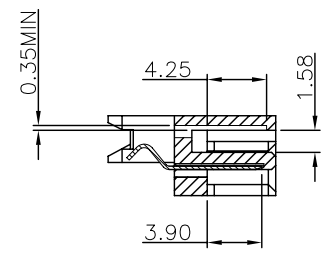
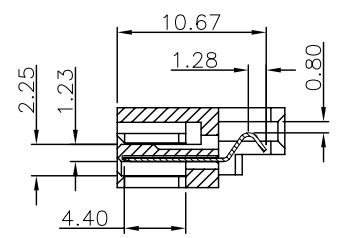
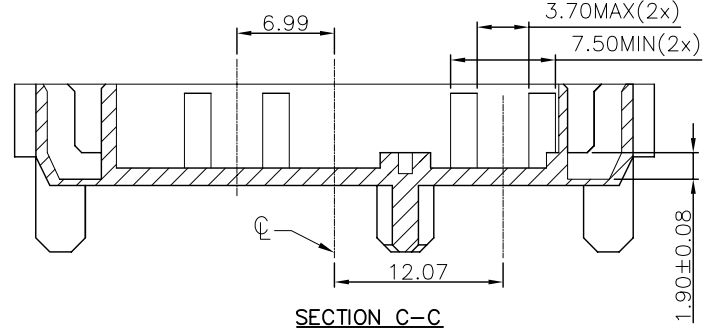


REV.	DESCRIPTION	DATE	DWN	APVD
A1	ECR11100801	12OCT11	Lee	WZ
A2		16JUN14	kjp	DZ

NOTES:
 1.MATERIAL:
 HOUSING:LCP 30% G/F UL94 V-0
 COLOR:BLACK
 CONTACT:BRASS C2680H T=0.25mm
 2.FINISH:
 CONTACT:GOLD PLATING ON CONTACT AREA(SEE TABLE)
 100u" MIN.TIN PLATING ON SOLDER TAILS
 50u" MIN.NICKEL UNDERPLATING OVER ALL
 3.ENVIRONMENTAL:
 OPERATING TEMPERATURE: -25°C TO +85°C



RECOMMENDED PCB LAYOUT T=1.00±0.05
 (GENERAL TOLERANCE ±0.05)



0.381μm [15μ"]	09-0108-04-H
0.762μm [30μ"]	09-0108-03
0.381μm [15μ"]	09-0108-02
GOLD FLASH	09-0108-01
MIN. GOLD THICKNESS	PART NUMBER

TOLERANCES UNLESS OTHERWISE SPECIFIED: 0 PLC ± - 1 PLC ± 0.38 2 PLC ± 0.25 3 PLC ± 0.15 4 PLC ± - ANGLES ± 3°	DWN Jackson Lee 12OCT2011 CHK CIYONG JIANG 12OCT2011 APVD Wei zhang 12OCT2011 PRODUCT SPEC	HAOGUO XING YE SHARE CO.,LTD.	
MATERIAL SEE NOTE	APPLICATION SPEC	SATA 22P, PLUG, RA, 夾板式.	
FINISH SEE NOTE	WEIGHT - GRAMS	SIZE A3	DRAWING NO C-09-0108
PROJECTION	DIMENSIONS: MM	CUSTOMER DRAWING	RESTRICTED TO -
		SCALE -	SHEET 1 OF 1
			REV A1