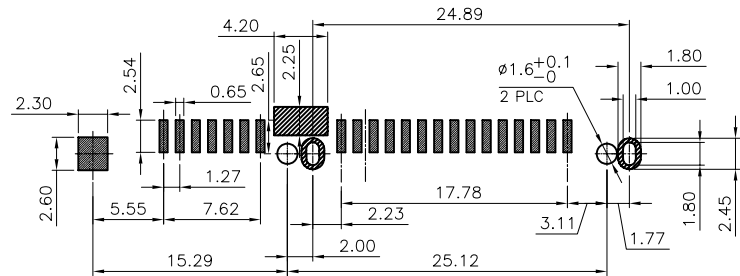
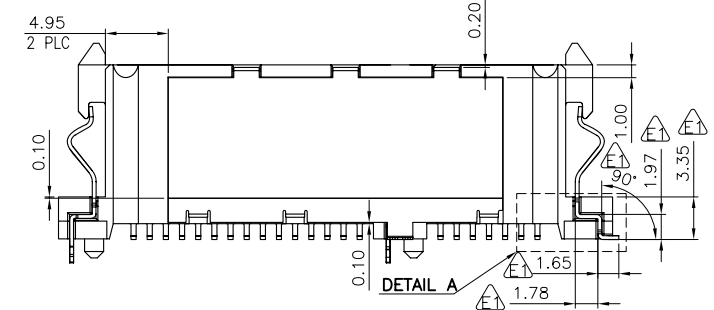
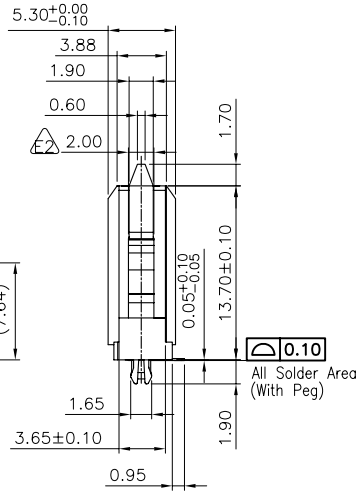
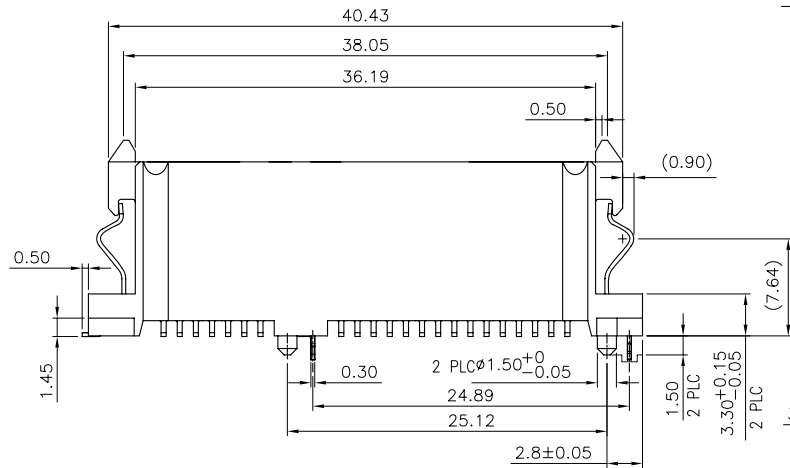
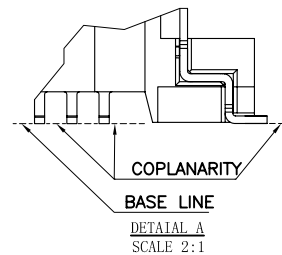


NOTE:  
 1. MATERIAL:  
 HOUSING: LCP, UL 94V-0, BLACK.  
 CONTACTS: PHOSPHOR BRONZE.  
 BOARDLOCK: STAINLESS STEEL.  
 SPRINGS & BOARDLOCK: STAINLESS STEEL SUS304-H.  
 SPRINGS & HOLD DOWN: STAINLESS STEEL SUS304-H.  
 SHELL: STAINLESS STEEL.  
 2. FINISH:  
 CONTACTS: (SEE TABLE) GOLD PLATED ON CONTACT AREA,  
 100μ" MIN MATTE-TIN PLATING ON SOLDER TAIL,  
 WITH ENTIRE CONTACT UNDERPLATED, 50μ" MIN NICKEL.  
 BOARDLOCK: 100μ" MIN TIN PLATED OVER 50μ" MIN NICKEL.  
 SHELL: 30μ" MIN NI-PI PLATED  
 SPRING & BOARDLOCK: 30μ" MIN NI-PI PLATED  
 SPRING & HOLD DOWN: 30μ" MIN NI-PI PLATED



RECOMMEND PCB LAYOUT  
 PCB THICKNESS=1mm, TOLERANCE:±0.05



[G/F]	09-0060-03
[15μ"]	09-0060-01
MIN. GOLD THICKNESS	PART NUMBER

						TOLERANCES UNLESS OTHERWISE SPECIFIED		JS HAOGUO(Zhongxiang) Limited Company					
						X.	±0.30	X.'	±2'	Customers Drawing		TITEL: SATA 22P, VERTICAL SMT TYPE WITH SPRING	
						.X	±0.25	X.X'	±1'	Part No.		Scale 6 : 1	
						.XX	±0.15			Drawing No.		Sheet 1 of 1	
						.XXX	±0.10			UNIT mm		SIZE A4	
ECN-121222001	E	24DEC12	鐵殼變更為鉤扣式	lee	D.Z	CHKD	CIYONG_JIANG	DAVID_ZHONG		Third Angle Projection			
ECN(DCN) NO.	REV.	DATE	DESCRIPTION	CHANGE	APVD	APVD	DAVID_ZHONG						