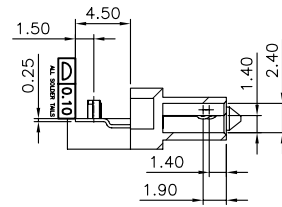
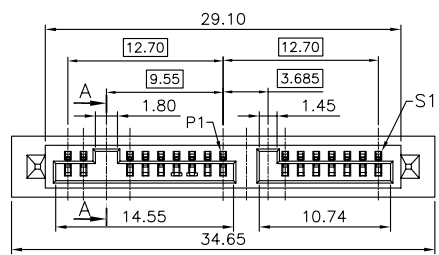
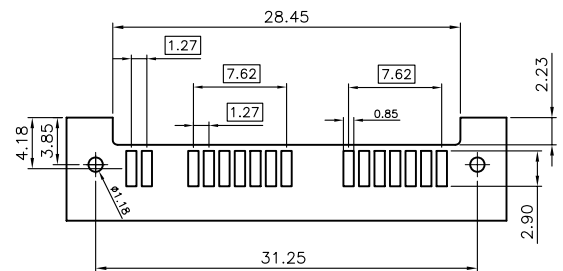
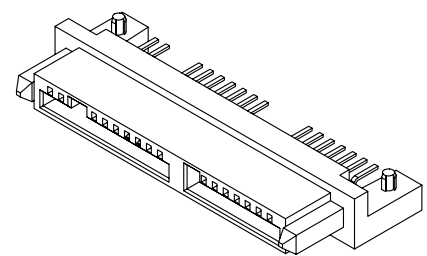
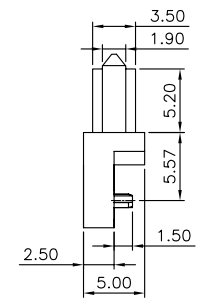
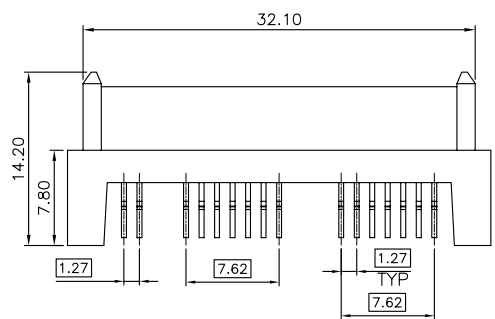


REV.	DESCRIPTION	DATE	DWN	APVD
A	RELEASED	21SEP2009	A.X	J.Y



SECTION A-A

NOTE:
 PRODUCTS MUST CONFORM TO JS SPEC JS-GC03143-A1.
 1. MATERIAL:
 HOUSING: HIGH TEMPERATURE THERMOPLASTIC UL 94V-0, COLOR: BLACK .
 TERMINAL: COPPER ALLOY, THICKNESS=0.25mm.
 2. FINISH:
 CONTACTS: (SEE TABLE) GOLD PLATING ON CONTACT AREA,
 150μ" MIN. MATTE-TIN PLATING ON SOLDER TAIL,
 WITH ENTIRE CONTACT UNDERPLATED 50μ" MIN. NICKEL.
 3. ELECTRICAL SPECIFICATION:
 CURRENT RATING: 1.5 AMPERE PER CONTACT
 CONTACT RESISTANCE: 30 MILLIOHMS MAX.
 INSULATION RESISTANCE: 1000 MEGOHMS MIN.
 DIELECTRIC WITHSTANDING VOLTAGE: 500 VAC.
 OPERATING TEMPERATURE: -40°C~+85°C



RECOMMENDED PCB LAYOUT
 PCB THICKNESS=1.60mm

30μ"	09-0055-03
15μ"	09-0055-02
GOLD FLASH	09-0055-01
GOLD THICKNES	NEW PART NUMBER

TOLERANCES UNLESS OTHERWISE SPECIFIED: 0 PLC ± - 1 PLC ± 0.3 2 PLC ± 0.2 3 PLC ± 0.15 4 PLC ± - ANGLES ± 3°	DWN ANDY_XIAO 21SEP2009 CHK GAVIN_CHEN 21SEP2009 APVD JACKY_YANG 21SEP2009	Zhongxiang Electron Science CO.,LTD		
MATERIAL SEE NOTE	APPLICATION SPEC -	MICRO SATA CONNECTOR 16P SMT, H=2.50mm.		
FINISH SEE NOTE	WEIGHT -	SIZE A3	DRAWING NO C-09-0055	RESTRICTED TO -
PROJECTION	DIMENSIONS: MM	CUSTOMER DRAWING	SCALE -	SHEET 1 of 1
				REV A