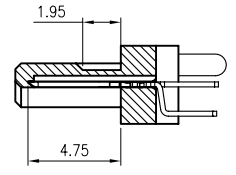
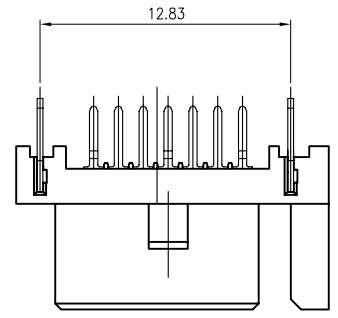


REV.	DESCRIPTION	DATE	DWN	APVD
A	RELEASED	28AUG09	A.X	J.Y



SECTION B-B

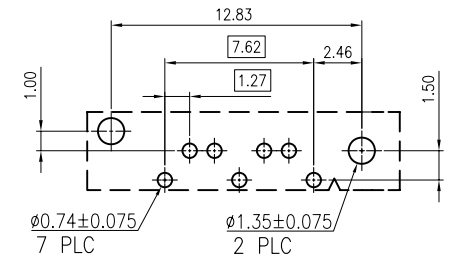
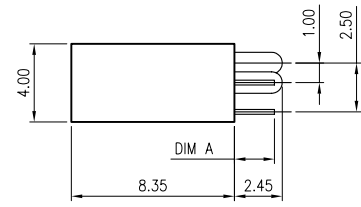
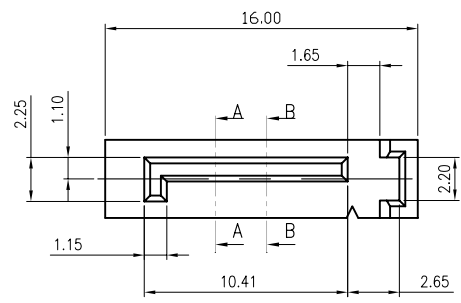
NOTE:
 PRODUCTS MUST CONFORM TO JS SPEC JS-GC03143-A1.

1.MATERIAL:
 HOUSING: (SEE TABLE), UL94V-0; COLOR:BLACK;
 CONTACT: BRASS. T=0.25mm
 BOARDLOCK :BRASS. T=0.30mm

2.FINISH:
 CONTACT: (SEE TABLE) GOLD PLATING ON CONTACT AREA
 2.54um [100μ"] MIN. BRIGHT TIN PLATING ON SOLDERTAILS
 1.27um [50μ"] MIN. NICKEL UNDERPLATING OVER ALL
 BOARDLOCKS: 2.54um [100μ"] MIN. BRIGHT TIN OVER 1.27um [50μ"] MIN.. NICKEL PLATED.

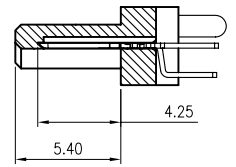
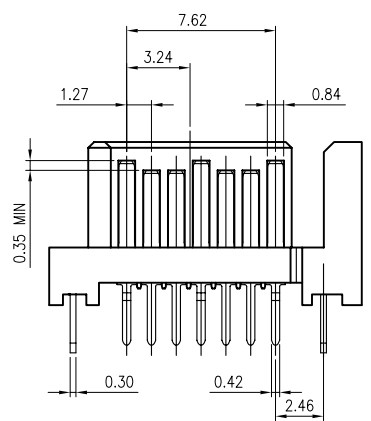
3.ELECTRICAL:
 CONTACT RESISTANCE: 45 mΩ MAX.
 DIELECTRIC WITHSTANDING VOLTAGE: 500V AC
 CURRENT RATING: 1.5A
 VOLAGE RATING: 12V AC

4.ENVIRONMENTAL:
 OPERATING TEMPERATURE: -25°C TO +85°C



RECOMMENDED PCB LAYOUT
 TOLERANCE: ±0.05

3.0	LCP	BLACK	30μ"	SC5710907FB0A4S0	09-0011-06
2.05	NY6T	BULE(293C)	15μ"	-----	09-0011-05
			30μ"	SC5210007FLOA4S0	09-0011-04
3.0	LCP	BLACK	15μ"	SC5710907FB004S0	09-0011-03
2.05			G/F	SC5710007FB0C4S0	09-0011-02
			30μ"	SC5710007FB0A4S0	09-0011-01
DIM A	HOUSING	HOUSING COLOR	GOLD THICKNESS	OLD PART NUMBER	NEW PART NUMBER



SECTION A-A

TOLERANCES UNLESS OTHERWISE SPECIFIED:		DWN	28AUG2009	Zhongxiang Electron Science CO.,LTD	
0 PLC	± -	CHK	28AUG2009		
1 PLC	± 0.3	APVD	28AUG2009		
2 PLC	± 0.2	NAME			
3 PLC	± 0.15	PRODUCT SPEC		SATA 7P VERTICAL B TYPE DIP PLUG	
4 PLC	± -	APPLICATION SPEC			
MATERIAL		JS-GC03143-A1		SIZE	DRAWING NO
FINISH		SEE NOTE		A3	C-09-0011
PROJECTION		SEE NOTE		WEIGHT	RESTRICTED TO
DIMENSIONS:		MM		CUSTOMER DRAWING	SCALE
				SHEET	1 of 1
				REV	A