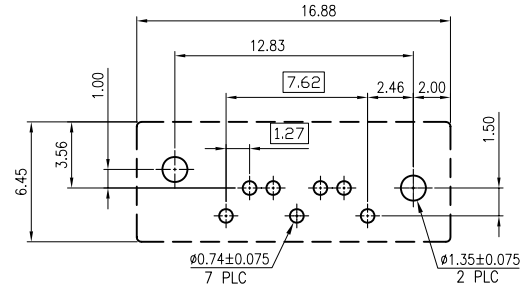
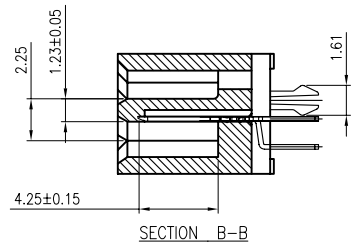
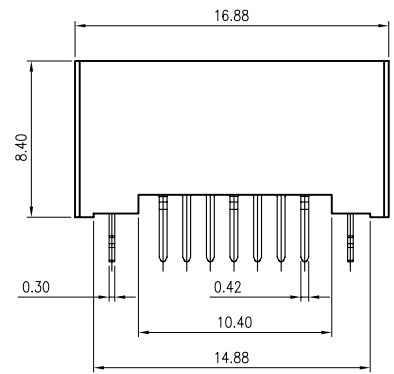
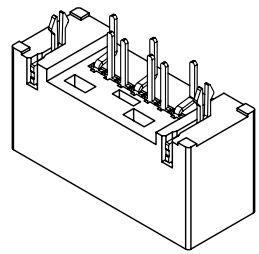
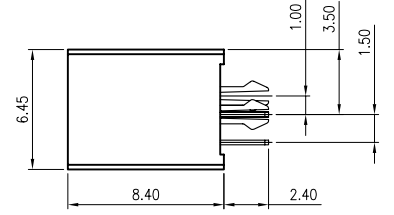
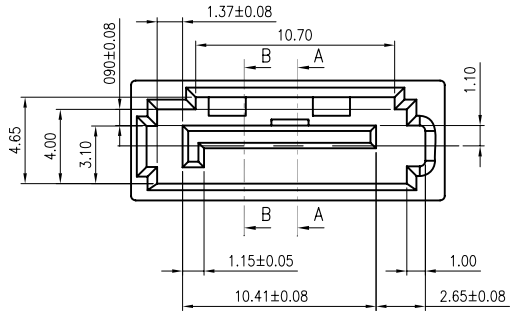


SECTION A-A



RECOMMENDED PCB LAYOUT  
TOLERANCE: ±0.05

NOTE:  
PRODUCTS MUST CONFORM TO JS SPEC JS-GC03143-A1.  
1.MATERIAL:  
HOUSING: (SEE TABLE), UL94V-0; COLOR:SEE TABLE;  
CONTACT: BRASS. T=0.25mm  
BOARDLOCK :BRASS. T=0.30mm  
2.FINISH:  
CONTACT: GOLD (SEE TABLE) ON CONTACT AREA  
2.54μm [100μ"] MIN. TIN PLATING ON SOLDERTAILS  
1.27μm [50μ"] MIN. NICKEL UNDERPLATING OVER ALL  
BOARDLOCKS:2.54μm [100μ"] MIN. TIN OVER  
12.7μm [50μ"]MIN. NICKEL PLATED.  
3.ELECTRICAL:  
CONTACT RESISTANCE: 45 mΩ MAX.  
DIELECTRIC WITHSTANDING VOLTAGE: 500V AC  
CURRENT RATING: 1.5A  
VOLTAGE RATING: 12V AC  
4.ENVIRONMENTAL:  
OPERATING TEMPERATURE: -25°C TO +85°C



SECTION B-B

A5	HF	MATTE-TIN	15μ"	LCP	BLACK		09-0004-11	
A4	HF	MATTE-TIN	5μ"	LCP	BLACK		09-0004-10	
A3		MATTE-TIN	30μ"	LCP	BLACK		09-0004-09	
			5μ"	LCP	BLACK		09-0004-08	
A2		BRIGHT-TIN	G/F	LCP	BLACK		09-0004-07	
			15μ"	NY6T	BLACK		09-0004-06	
G/F	LCP	ORANGE(157C)				09-0004-05		
		BLACK	SE1709707FB004S0	09-0004-04				
			SE1709707FB0C4S0	09-0004-03				
				NY6T	ORANGE(159C)	SE1209707FJ0C4S0	09-0004-01	
Environmental standard	SOLDER AREA PLATING		GOLD THICKNES		HOUSING	HOUSING COLOR	OLD PART NUMBER	NEW PART NUMBER

TOLERANCES UNLESS OTHERWISE SPECIFIED  
X. ±0.30 X.' ±2"  
.X ±0.25 X.X' ±1"  
.XX ±0.20  
.XXX ±0.10

JS HAOGUO(Zhongxiang) Limited Company

	A5	31JUL14		A5	KJP	DZ	Customers Drawing			TITEL: SATA 7P VERTICAL B TYPE DIP PLUG			
	A4	24APR14		A4	KJP	DZ	Part No.			Scale	1:1		
	A3	04MAR13		A3	AL	DD	DWN	JUNAPING_KUANG					
ECN-11122801	A2	28DEC11		A2	LEE	W.Z	CHKD	CIYONG_JIANG		Drawing No.	C-09-0004	Sheet 1 of 1	
ECN(DCN) NO.	REV.	DATE		DESCRIPTION	CHANGE	APVD	APVD	DAVID_ZHONG	UNIT	mm	SIZE	A4	Third Angle Projection