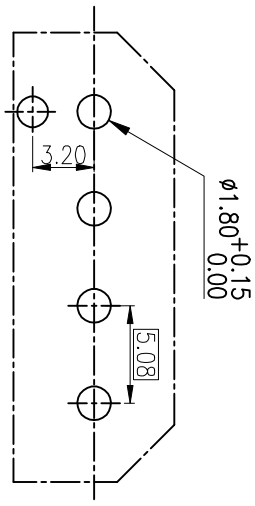
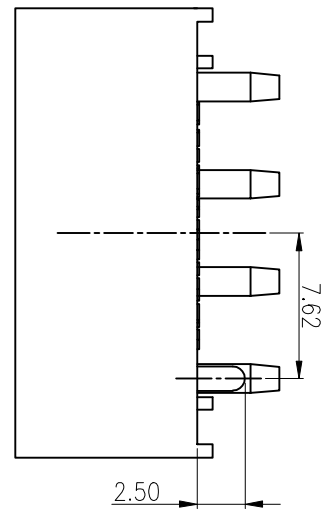
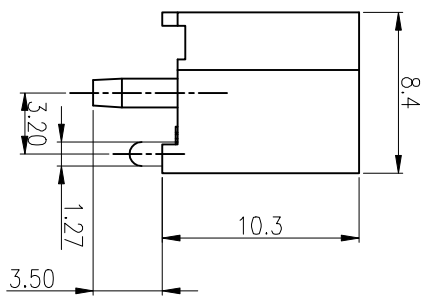
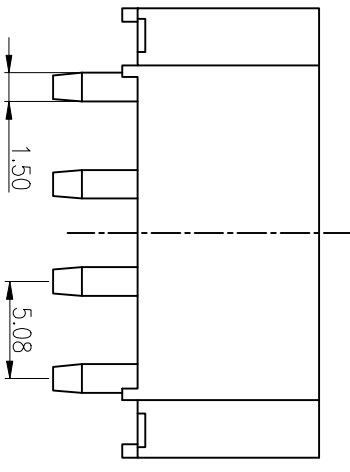


REV.	DESCRIPTION	DATE	DMN	APD
A	RELEASED	27Feb2010	BEN	JY



PCB LAYOUT

- NOTES:
- MATERIALS
HOUSING: (SEE TABLE) UL94V-0, COLOR: (SEE TABLE).
CONTACTS: BRASS.
 - FINISH:
CONTACTS: 2.54 μ m [100 μ "] MIN. BRIGHT-TIN OVER
1.27 μ m [50 μ "] MIN NICKEL ON ENTIRE CONTACT.
 - ELECTRICAL:
CONTACT RESISTANCE: 30 m Ω MAX.
INSULATION RESISTANCE: 500 M Ω MIN.
DIELECTRIC WITHSTANDING: 1500V AC.
CURRENT RATING: 10 A
 - ENVIRONMENTAL:
OPERATING TEMPERATURE: -40° TO +105°C.



PART+30GF	BLACK	--	12-0006-02
PAG6 +30GF	BLACK	--	12-0006-01
HOUSING MATERIAL	HOUSING COLOR	OLD PRAT NO.	NEW PRAT NO.

Zhongxiang Electron Science CO.,LTD

POWER CONNECTOR, 4 POSITION
PLUG, VT, DIP.

TOLERANCES UNLESS OTHERWISE SPECIFIED:	DMN	APD
0 PLG ± -	BEN CHEN	27Feb2010
1 PLG ± 0.3	CHK GAVIN CHEN	27Feb2010
2 PLG ± 0.2	APD JACKY YANG	27Feb2010
3 PLG ± 0.15	PRODUCT SPEC	JS-GC03138-A1
4 PLG ± -	APPLICATION SPEC	
ANGLES ± 3°		

FINISH	SEE NOTE
PROJECTION	SEE NOTE
WEIGHT	
DIMENSIONS:	MM

SIZE	DRAWING NO	SCALE	SHEET	OF	REV	RESTRICTED TO
A3	C-12-0006	--	1	1	A	
CUSTOMER DRAWING						

8 7 6 5 4 3 2 1