

REV.	DESCRIPTION	DATE	DWN.	AP/D
A	RELEASED	27SEP2011	AL	WZ

NOTE:

1. MATERIAL:

HOUSING: PA9T, UL 94V-0, COLOR, Black.

POSTS: COPPER ALLOY .

2. FINISH:

POSTS: 0.8μ" GOLD MIN. FLASH OVER 50μ" MIN. NICKEL PLATED .

3. ELECTRICAL:

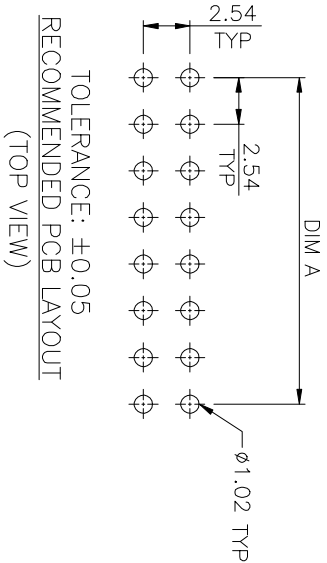
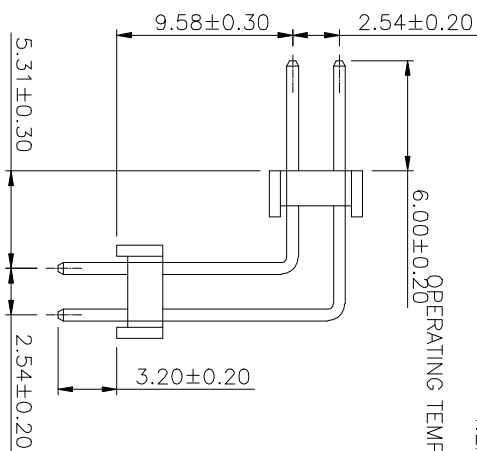
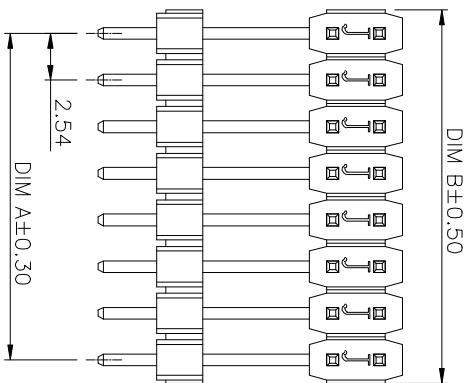
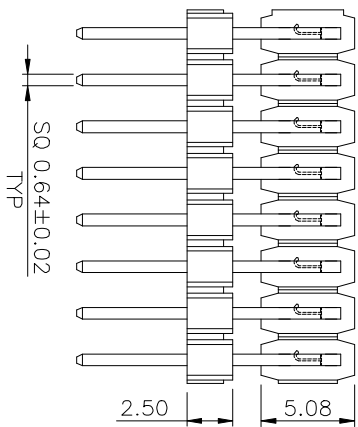
CONTACT RESISTANCE: 40 mΩ Max .

DIELECTRIC WITHSTANDING VOLTAGE: 500V AC .

CURRENT RATING: 3 Amp .

4. ENVIRONMENTAL:

OPERATING TEMPERATURE: -40°C TO +125°C .



TOLERANCE: ±0.05  
RECOMMENDED PCB LAYOUT  
(TOP VIEW)

POST NO.	DIM B	DIM A	PART NUMBER
2+16	40.64	38.10	08-0066-01

A

B

C

D

8

7

6

5

4

3

2

1

A

B

C

D

TOLERANCES DIMENSS OTHERWISE SPECIFIED:		DIM 27SEP2011 CRK Aldel	
0 PLG ± -	1 PLG ± 0.3	2 PLG ± 0.2	3 PLG ± 0.15
MATERIAL SEE NOTE FINISH SEE NOTE PROTECTION SEE NOTE		DIM NAME <b>Zhongxiang Electron Science CO.,LTD</b>	
DIMENSIONS: mm		DOUBLE PIN HEADER 2.54mm PITCH, WIGHT ANGLE TYPE .	
CUSTOMER DRAWING		DRAWING NO C-08-0066	
SCALE 1:1		SHEET 1 OF 1	
RESTRICTED TO		REV A	