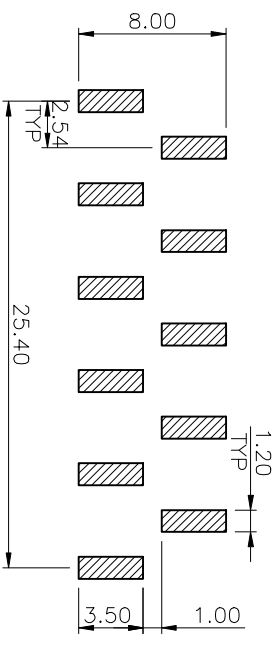
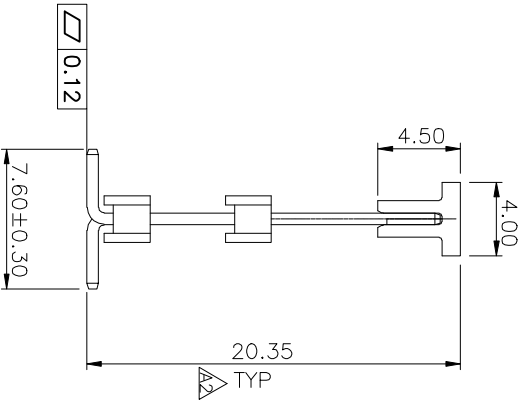
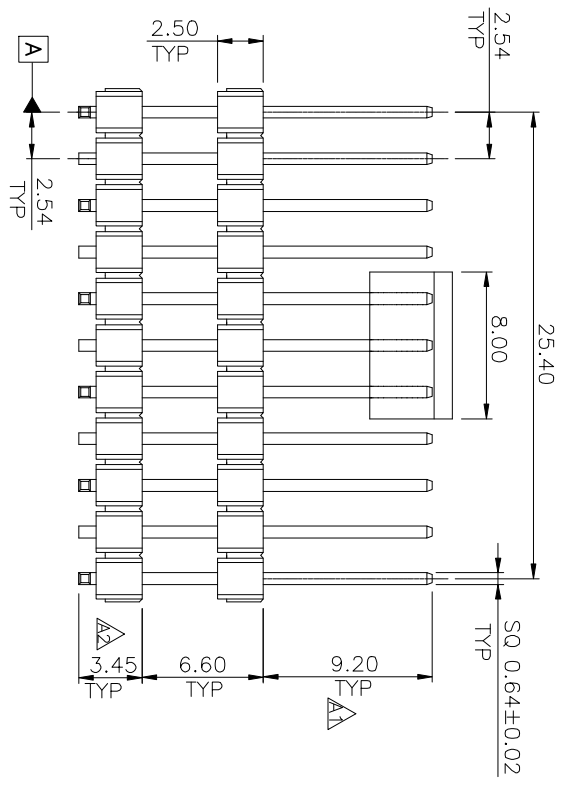
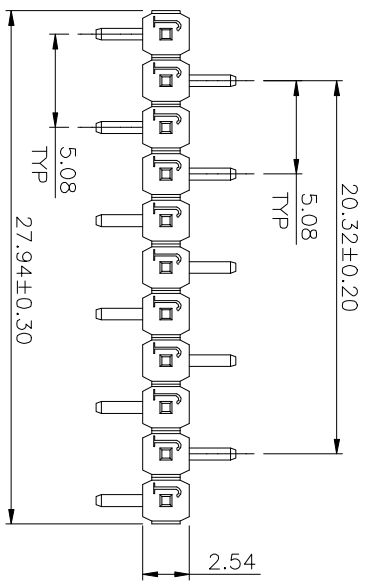


REV	DESCRIPTION	DATE	DWN	AP/D
A	RELEASED	23Sep09	MD	JY
A1		11Oct09	MD	JY
A2		18Nov09	MD	JY

- NOTE:
- MATERIAL:
HOUSING: (SEE TABLE), UL 94V-0, COLOR (SEE TABLE).
POSTS: COPPER ALLOY.
 - FINISH:
POSTS: 0.8 μ " MIN. GOLD FLASH OVER 50 μ " MIN. NICKEL PLATED.
 - ELECTRICAL:
CONTACT RESISTANCE: 40 m Ω Max.
DIELECTRIC WITHSTANDING VOLTAGE: 500V AC.
CURRENT RATING: 3 Amp.
 - ENVIRONMENTAL:
OPERATING TEMPERATURE: -40°C TO +125°C.



RECOMMEND P.C.B LAYOUT
PCB TOLERANCE: ±0.05

TOLERANCES UNLESS OTHERWISE SPECIFIED: 0 PLG ± 0.3 1 PLG ± 0.2 2 PLG ± 0.15 3 PLG ± 0.15 ANGLES ± 3°		DWG: 18Nov2009 MICHAEL DONG CHK: 18Nov2009 GUYIN CHEN AP/D: 18Nov2009 JINGYI YANG PRODUCT SPEC: JS-GC03142-A1 APPLICATION SPEC: PIN_01-1(A)		Zhongxiang Electron Science CO.,LTD NAME: PIN HEADER PITCH=2.54 1*11 Pin SMT 180° TYPE	
FINISH: SEE NOTE PROJECTION:		MATERIAL: SEE NOTE APPLICATION SPEC: PIN_01-1(A)		SIZE: A3 DRAWING NO: C-08-0039 CUSTOMER DRAWING:	
DIMENSIONS: mm		SCALE: 1:1		SHEET: 1 OF 1 REV: A2 RESTRICTED TO:	

BLACK	PART	08-0039-01
COLOR	MATERIAL	PART NUMBER

8 7 6 5 4 3 2 1