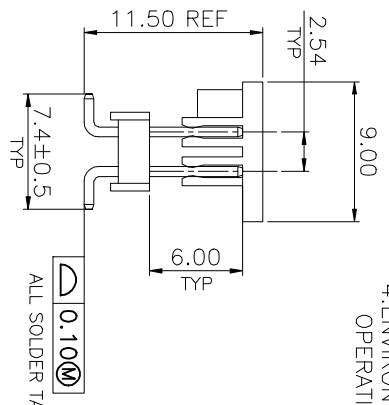
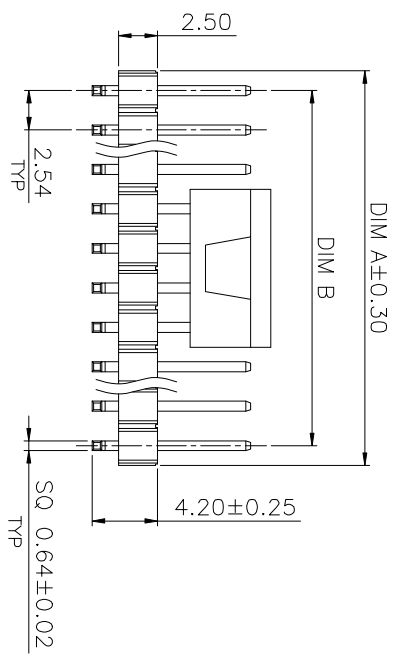
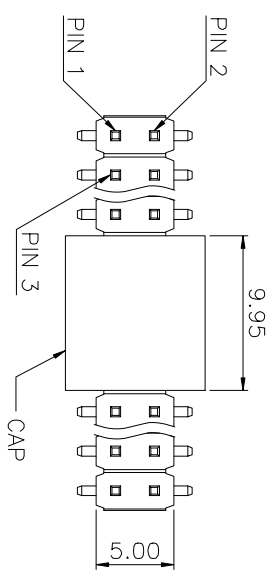
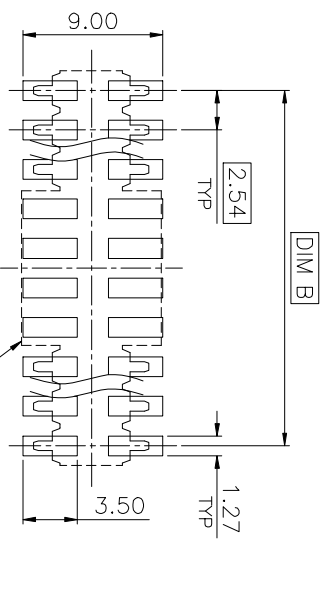


REV.	DESCRIPTION	DATE	DWN	AP/D
A	RELEASED	29July09	MO	JK
A1		01Sep09	MD	JY



- NOTE:
- MATERIAL:
HOUSING & CAP: PA6T WITH 30% GF, UL 94V-0, BLACK COLOR.
POSTS: COPPER ALLOY.
 - FINISH:
POSTS: 0.8 μ m MIN. GOLD FLASH OVER 50 μ m MIN. NICKEL PLATED.
 - ELECTRICAL:
CONTACT RESISTANCE: 40 m Ω Max.
DIELECTRIC WITHSTANDING VOLTAGE: 500V AC
CURRENT RATING: 3 Amp
 - ENVIRONMENTAL:
OPERATING TEMPERATURE: -40°C TO +125°C



TOLERANCE: ± 0.05
RECOMMENDED PCB LAYOUT
(TOP VIEW)

PIN NO.	DIM A	DIM B	WEIGHT	LACK PIN	PART NUMBER(OLD)	PART NUMBER(NEW)
08	10.16	7.62	0.70 g	-	PB02120081B0G0A3	08-0027-06
14	17.78	15.24	1.12 g	-	---	08-0027-05
20	25.40	22.86	1.48 g	-	PB02120201B0G0A3	08-0027-04
			0.88 g	-	PB02120101B0G0A3	08-0027-03
10	12.70	10.16	0.85 g	10 th	PB02120A11B0G0A3	08-0027-02
				09 th	---	08-0027-01

Zhongxiang Electron Science CO.,LTD

PIN HEADER: 2.54 PITCH, DOUBLE ROW,
VERTICAL, SMT.

TOLERANCES UNLESS OTHERWISE SPECIFIED:		DWN		AP/D	
0 PLG	\pm	Michael_Dong	01Sep09	Garvin_Chen	01Sep09
1 PLG	± 0.3	AP/D		Jacky_Xiong	
2 PLG	± 0.2	PRODUCT SPEC			
3 PLG	± 0.15	APPLICATION SPEC			
4 PLG	\pm	JS-GC03142-A1			
ANGLES	$\pm 3^\circ$				
MATERIAL	SEE NOTE				
FINISH	SEE NOTE				
PROJECTION	SEE NOTE				
DIMENSIONS:	mm				

SIZE	DRAWING NO	RESTRICTED TO
A3	C-08-0027	---
CUSTOMER DRAWING	SCALE 1:1	SHEET 1 OF 1
		REV A1