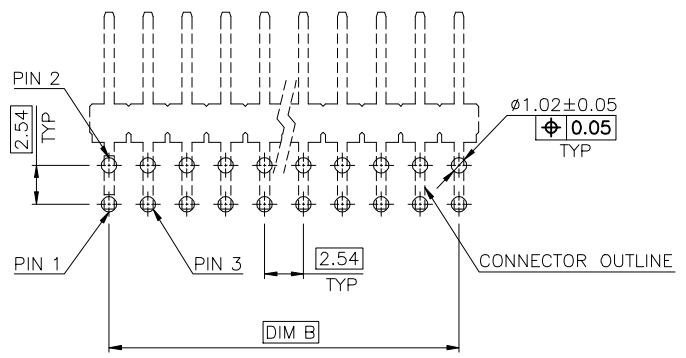
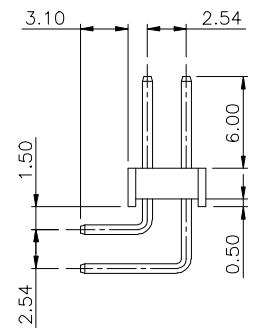
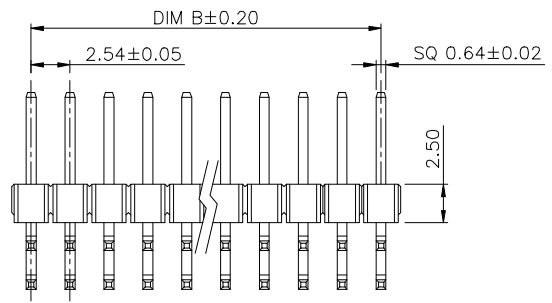
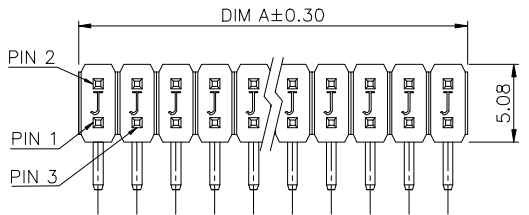


REV.	DESCRIPTION	DATE	DWN	APVD
A	RELEASED	29July09	MO	JK
A3		13Apr12	XX	WZ

- NOTE:
- MATERIAL:  
HOUSING: (SEE TABLE), UL 94V-2(PA66)  
/UL 94V-0(PBT&PA6T), COLOR BLACK.  
POSTS: COPPER ALLOY.
  - FINISH:  
POSTS: 0.8μ" MIN. GOLD FLASH OVER 50μ" MIN. NICKEL PLATED.
  - ELECTRICAL:  
CONTACT RESISTANCE: 40 mΩ Max.  
DIELECTRIC WITHSTANDING VOLTAGE: 500V AC.  
CURRENT RATING: 3 Amp.
  - ENVIRONMENTAL:  
OPERATING TEMPERATURE: -40°C TO +125°C.



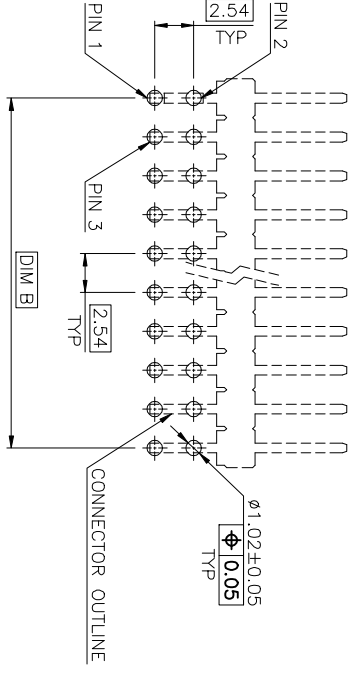
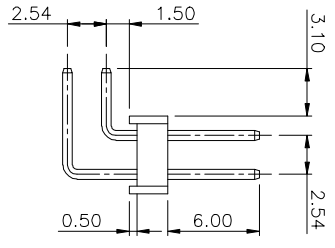
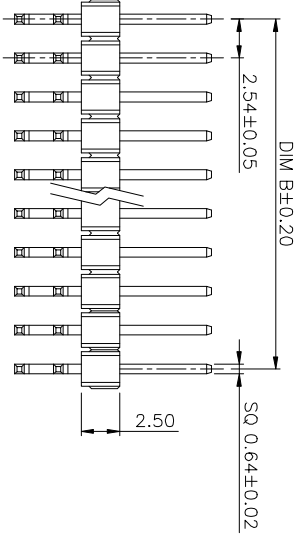
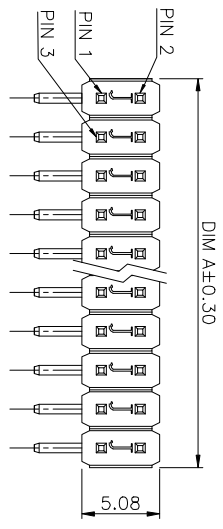
TOLERANCE: ±0.05  
RECOMMENDED PCB LAYOUT  
(TOP VIEW)

MIN. GOLD THICKNESS	MATERIAL	POST NUMBER	DIM B	DIM A	LACK PIN	PART NUMBER	
GOLD FLASH	PA6T	30	35.56	38.10	12 <sup>m</sup> , 22 <sup>m</sup>	08-0005-32	
		26	30.48	33.02	1 <sup>m</sup> , 9 <sup>m</sup>	08-0005-31	
		40	48.26	50.80	2 <sup>m</sup>	08-0005-30	
		32	38.10	40.64	22 <sup>m</sup> , 30 <sup>m</sup>	08-0005-29	
		30	35.56	38.10	9 <sup>m</sup>	08-0005-28	
		20	22.86	25.40	2 <sup>m</sup>	08-0005-27	
		20	22.86	25.40	-	08-0005-26	
		16	17.78	20.32	3 <sup>m</sup>	08-0005-25	
		16	17.78	20.32	3 <sup>m</sup>	08-0005-24	
			PBT	16	17.78	20.32	-
	PA6T	14	15.24	17.78	6 <sup>m</sup>	08-0005-22	
15 μ" Au	PA6T	14	15.24	17.78	2 <sup>m</sup>	08-0005-21	
GOLD FLASH	PA66 WITH 30% G.F	12	12.70	15.24	11 <sup>m</sup>	08-0005-20	
		PA6T	10	10.16	12.70	-	08-0005-19
			10	10.16	12.70	3 <sup>m</sup>	08-0005-18
			10	10.16	12.70	1 <sup>m</sup>	08-0005-17
		PBT	10	10.16	12.70	-	08-0005-16
		PA6T	10	10.16	12.70	9 <sup>m</sup>	08-0005-15
		PBT	8	7.62	10.16	1 <sup>m</sup>	08-0005-14
		PBT	8	7.62	10.16	1 <sup>m</sup>	08-0005-13
15 μ" Au	PA6T	8	7.62	10.16	1 <sup>m</sup>	08-0005-12	
8		7.62	10.16	8 <sup>m</sup>	08-0005-11		
GOLD FLASH	PA6T	6	5.08	7.62	-	08-0005-10	
		20	22.86	25.40	8 <sup>m</sup> , 19 <sup>m</sup>	08-0005-09	
		18	20.32	22.86	2 <sup>m</sup>	08-0005-08	
		16	17.78	20.32	14 <sup>m</sup>	08-0005-07	
		12	12.70	15.24	1 <sup>m</sup>	08-0005-06	
		12	12.70	15.24	6 <sup>m</sup>	08-0005-05	
		10	10.16	12.70	2 <sup>m</sup>	08-0005-04	
		10	10.16	12.70	10 <sup>m</sup>	08-0005-03	
		PA66 WITH 30% G.F	10	10.16	12.70	2 <sup>m</sup>	08-0005-02
		PA6T	8	7.62	10.16	4 <sup>m</sup>	08-0005-01

TOLERANCES UNLESS OTHERWISE SPECIFIED: 0 PLC ± - 1 PLC ± 0.3 2 PLC ± 0.2 3 PLC ± 0.15 4 PLC ± - ± 3° ANGLES ± - ± 3°	DWN XIAOXU_LIU 13Apr2012 CHK CIYONG_JIANG 13Apr2012 APVD WEI_ZHANG 13Apr2012	<b>Zhongxiang Electron Science CO.,LTD</b>	
MATERIAL SEE NOTE	JS-GC03142-A1	NAME	
FINISH SEE NOTE	PIN_01-1(A)	PIN HEADER, DOUBLE ROW, VERTICAL, DIP, TYP.	
PROJECTION		SIZE A3	DRAWING NO C-08-0005
DIMENSIONS: mm	CUSTOMER DRAWING	SCALE 1:1	SHEET 1 OF 2
			RESTRICTED TO -
			REV A3

REV.	DESCRIPTION	DATE	DWN.	AP/D
A	RELEASED	29July09	MO	JK
A3		13Apr2012	XX	WZ

- NOTE:
- MATERIAL: HOUSING: (SEE TABLE), UL 94V-2(PA66) /UL 94V-0(PBT&PA6T), COLOR BLACK .  
POSTS: COPPER ALLOY .
  - FINISH: POSTS: 0.8μ" MIN. GOLD FLASH OVER 50μ" MIN. NICKEL PLATED .
  - ELECTRICAL: CONTACT RESISTANCE: 40 mΩ Max .  
DIELECTRIC WITHSTANDING VOLTAGE: 500V AC .  
CURRENT RATING: 3 Amp .
  - ENVIRONMENTAL: OPERATING TEMPERATURE: -40°C TO +125°C .



TOLERANCE: ±0.05  
RECOMMENDED PCB LAYOUT  
(TOP VIEW)

MIN. GOLD THICKNESS	MATERIAL	POST NUMBER	DIM B	DIM A	LACK PIN	PART NUMBER
GOLD	PBT	14	15.24	17.78	7"	08-0005-35
FLASH	PBT	10	10.16	12.70	9"	08-0005-34
	PA6T	4	2.54	5.08	—	08-0005-33

**Zhongxiang Electron Science CO.,LTD**

PIN HEADER, DOUBLE ROW,  
VERTICAL, DIP, TYP.

TOLERANCES UNLESS OTHERWISE SPECIFIED:		DWN	XIAOXU_LIU	13Apr2012	NAME	PIN HEADER, DOUBLE ROW, VERTICAL, DIP, TYP.		
0 PLG	±	CHK	QIYONG_JIANG	13Apr2012	APPR	WEI_ZHANG	13Apr2012	RESTRICTED TO
1 PLG	±0.3	PRODUCT SPEC	JS-GC03142-A1		APPLICATION SPEC	PIN_01-1(A)		
2 PLG	±0.2	FINISH	SEE NOTE		PROJECTION			
3 PLG	±0.15	MATERIAL	SEE NOTE		DIMENSIONS:	mm		
4 PLG	±	ANGLES	± 3°		SIZE	C-08-0005	SCALE	1:1
					CUSTOMER DRAWING		SHEET	2 OF 2
							REV	A3

8 7 6 5 4 3 2 1