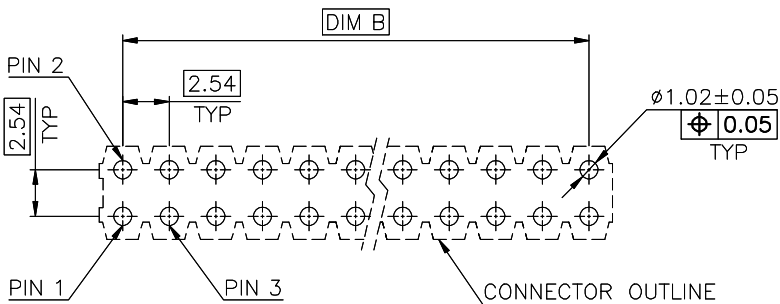
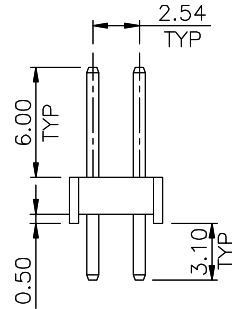
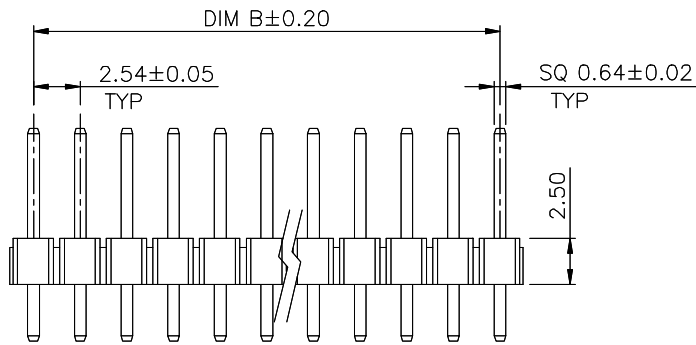
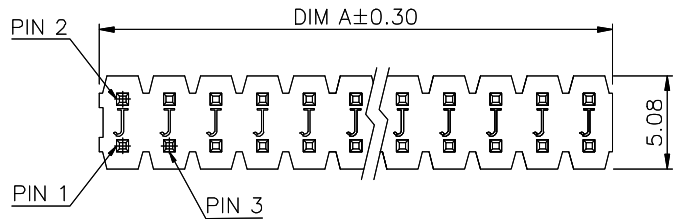


REV.	DESCRIPTION	DATE	DWN	APVD
A14		13Apr12	XX	WZ

MODE (→)



TOLERANCE: ±0.05  
RECOMMENDED PCB LAYOUT  
(TOP VIEW)

NOTE:

- MATERIAL:  
HOUSING: (SEE TABLE), UL 94V-2(PA66)  
/UL94V-0(PA46&PA6T&PA9T&PBT&HTN), COLOR(SEE TABLE) .  
POSTS: COPPER ALLOY .
- FINISH:  
POSTS: 0.8μ" MIN GOLD FLASH OVER 30μ" MIN. NICKEL PLATED.
- ELECTRICAL:  
CONTACT RESISTANCE: 40 μΩ Max .  
DIELECTRIC WITHSTANDING VOLTAGE: 500V AC .  
CURRENT RATING: 3 Amp .
- ENVIRONMENTAL:  
OPERATING TEMPERATURE: -40°C TO +125°C .

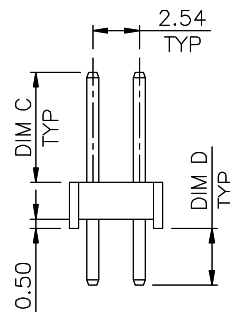
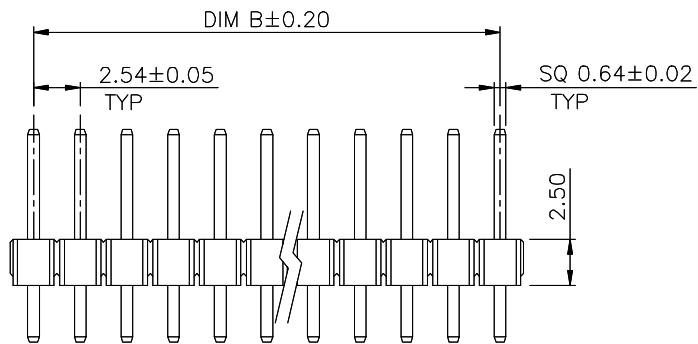
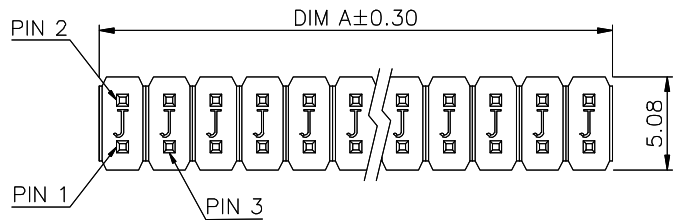
5.08-0001-XX  
SEE MODE (→)

MODE (→)	POST NO.	DIM B	DIM A	COLOR	MATERIAL	LACK PIN	PART NUMBER	
MODE (→)	12	12.70	15.24	YELLOW 129C	PA66 WITH 30% G.F	11 <sup>th</sup>	08-0001-37	
	10	10.16	12.70	BLUE 298C		9 <sup>th</sup>	08-0001-111	
	20	22.86	25.40	WHITE		10 <sup>th</sup> , 12 <sup>th</sup> , 13 <sup>th</sup>	08-0001-110	
	34	40.64	43.18	BLACK		5 <sup>th</sup>	08-0001-109	
	26	30.48	33.02	BLACK		24 <sup>th</sup>	08-0001-108	
	10	10.16	12.70	GREEN 352C		8 <sup>th</sup>	08-0001-107	
				BEIGE 7506C		10 <sup>th</sup>	08-0001-106	
	10	10.16	12.70	BLUE 298C		PA9T	9 <sup>th</sup>	08-0001-87
	20	22.86	25.40	WHITE		PA9T	10 <sup>th</sup> , 12 <sup>th</sup> , 13 <sup>th</sup>	08-0001-83
	34	40.64	43.18	BLACK		PA9T	5 <sup>th</sup>	08-0001-66
26	30.48	33.02	BLACK	PA9T	24 <sup>th</sup>	08-0001-63		
10	10.16	12.70	YELLOW 129C	PA9T	9 <sup>th</sup>	08-0001-34		
			GREEN 352C	PA9T	8 <sup>th</sup>	08-0001-31		
			BEIGE 7506C	PA9T	10 <sup>th</sup>	08-0001-29		

TOLERANCES UNLESS OTHERWISE SPECIFIED:		DWN XIAOXU_LIU 13Apr2012		<b>Zhongxiang Electron Science CO.,LTD</b>	
0 PLC ± -		CHK CUYONG_JIANG 13Apr2012			
1 PLC ± 0.3		APVD WEI_ZHANG 13Apr2012		NAME	
2 PLC ± 0.2		PRODUCT SPEC			
3 PLC ± 0.15		JS-GC03142-A1		PIN HEADER, DOUBLE ROW, VERTICAL, DIP.	
4 PLC ± - ± 3'		APPLICATION SPEC			
MATERIAL SEE NOTE		PIN_01-1(A)		SIZE DRAWING NO	
FINISH SEE NOTE		PROJECTION		RESTRICTED TO	
DIMENSIONS: mm		A3		C-08-0001	
CUSTOMER DRAWING		SCALE 1:1		SHEET 4 OF 4	
REV A14					

REV.	DESCRIPTION	DATE	DWN	APVD
A14		13Apr12	XX	WZ

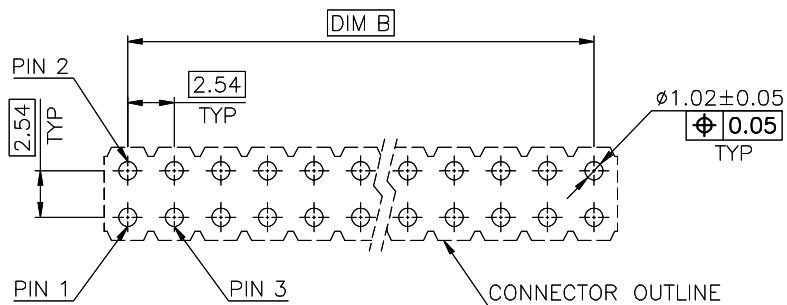
MODE (二)



NOTE:

- MATERIAL:  
HOUSING: (SEE TABLE), UL 94V-2(PA66)  
/UL94V-0(PA46&PA6T&PA9T&PBT&HTN), COLOR(SEETABLE) .  
POSTS: COPPER ALLOY .
- FINISH:  
POSTS: 0.8μ" MIN GOLD FLASH OVER 30μ" MIN. NICKEL PLATED.
- ELECTRICAL:  
CONTACT RESISTANCE: 40 μΩ Max .  
DIELECTRIC WITHSTANDING VOLTAGE: 500V AC .  
CURRENT RATING: 3 Amp .
- ENVIRONMENTAL:  
OPERATING TEMPERATURE: -40°C TO +125°C .

SEE MODE (二)



TOLERANCE: ±0.05  
RECOMMENDED PCB LAYOUT  
(TOP VIEW)

TOLERANCES UNLESS OTHERWISE SPECIFIED:		DWN XIAOXU_LIU 13Apr2012	<b>Zhongxiang Electron Science CO.,LTD</b>		
0 PLC ± -	1 PLC ± 0.3	CHK CIYONG_JIANG 13Apr2012			
2 PLC ± 0.2	3 PLC ± 0.15	APVD WEI_ZHANG 13Apr2012	NAME		
4 PLC ± - ± 3'	ANGLES ± - ± 3'	PRODUCT SPEC JS-GC03142-A1	PIN HEADER,DOUBLE ROW, VERTICAL, DIP.		
MATERIAL SEE NOTE	FINISH SEE NOTE	APPLICATION SPEC PIN_01-1(A)	SIZE A3	DRAWING NO C-08-0001	RESTRICTED TO -
PROJECTION	DIMENSIONS: mm	CUSTOMER DRAWING	SCALE 1:1	SHEET 1 OF 4	REV A14