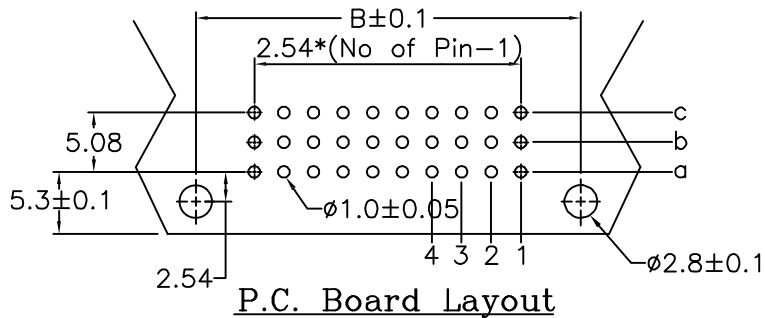
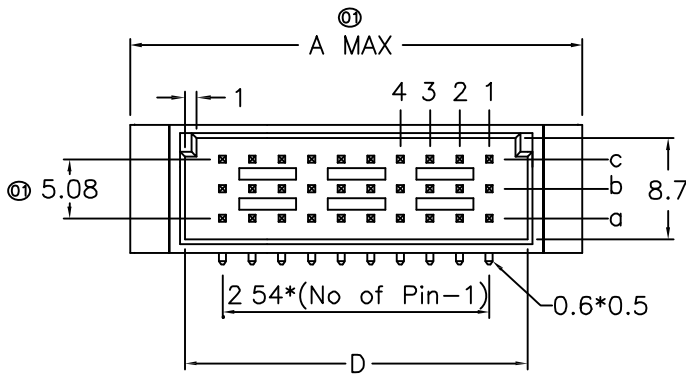
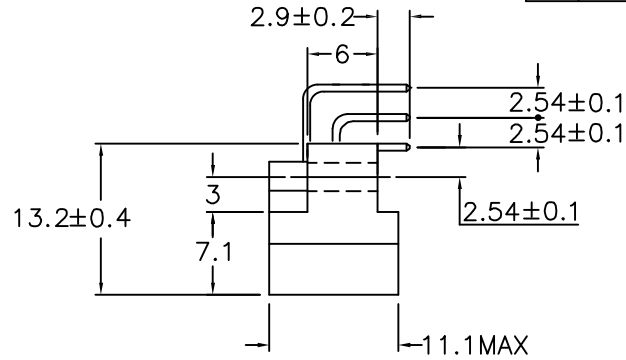
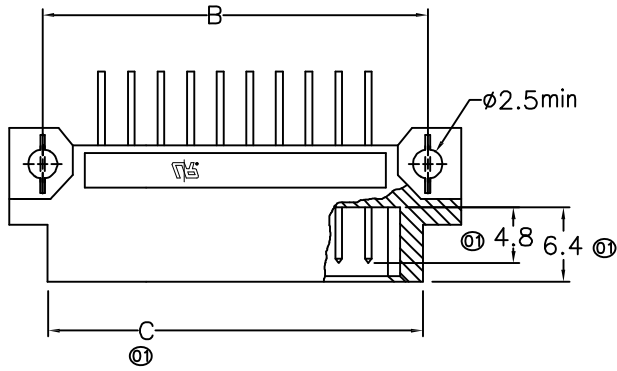


ROHS

REV.	DESCRIPTION	DATE	DWN	APVD
1	RELEASED	23MAR11	MO	JY



Material:

Housing: 30% Glass filled PBT UL94V-0.

Contacts: Brass.

Lock: Phosphor Bronze.

Electrical Characteristics:

Current Rating: 2 AMP.

Dielectric Withstanding Voltage: AC 1000V For 1 minute.

Insulator Resistance: 1000MΩmin. at DC 500V.

Contact Resistance: 30mΩmax. at DC 100mA.

Operating Temperature: -55°C~+105°C.

***RoHS Compliant**

FINISH	Position	A	B	C	D	PART No.
G/F	30	38.10	33.02	32.16	29.36	J99-0038-01

TOLERANCES UNLESS OTHERWISE SPECIFIED: 0 PLC ± 0.50 1 PLC ± 0.25 2 PLC ± 0.15 3 PLC ± 0.10 4 PLC ± - ANGLES ± 3°	DWN ciyong	Zhongxiang Electron Science CO.,LTD				
	CHK					23MAR2011
	APVD					NAME
	PRODUCT SPEC					DIN41612 HALF C TYPE MALE
MATERIAL SEE NOTE	APPLICATION SPEC	SIZE A3	DRAWING NO J99-0038	RESTRICTED TO -		
FINISH SEE NOTE	WEIGHT					
PROJECTION	DIMENSIONS: MM	CUSTOMER DRAWING	SCALE -	SHEET 1 of 1	REV 1	