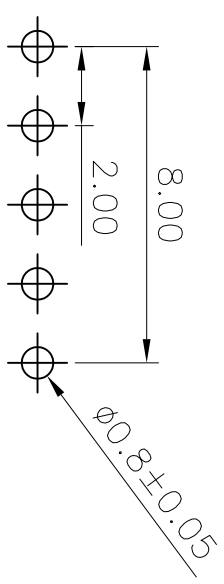
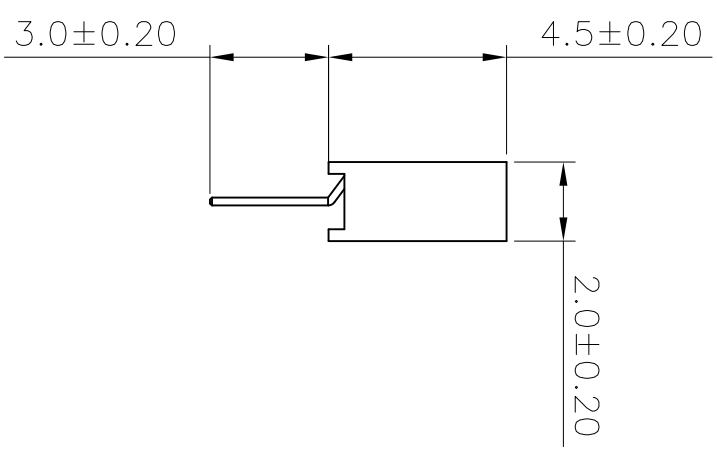
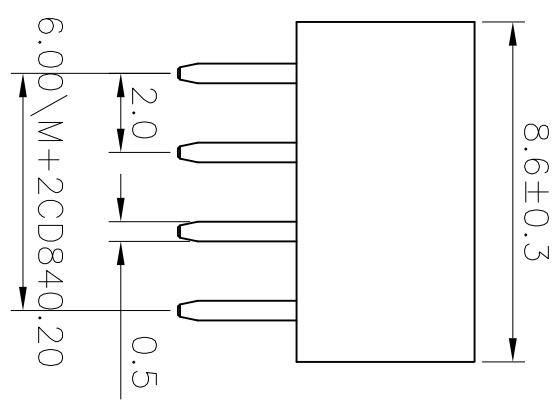
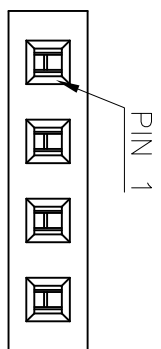


ROHS
2002/95/EC



P.C.B. LAYOUT

NOTE:
MATERIAL
1. CONTACT: PHOSPHOR BRONZE
2. INSULATOR: NY9T, (UL94V-0),BLACK.
3. CONTACT PLATING: GOLD FLASH

SPECIFICATION
1. CONTACT RESISTANCE: 30m ohms Max
2. INSULATOR RESISTANCE: 1000M ohms Min
3. CURRENT RATING: 1 Amp
4. DIELECTRIC WITHSTANDING VOLTAGE: AC 500V
5. OPERATING TEMPERATURE: -40°C TO +105°C

| | | | | | |
|--------------|------|------------|-------------|--------|------|
| ECN(DCN) NO. | REV. | DATE | DESCRIPTION | CHANGE | APVD |
| | A | 2013/05/07 | NEW | YJ | D.Z |
| | | | | | |
| | | | | | |

TOLERANCES UNLESS OTHERWISE SPECIFIED

| | | | |
|------|-------|------|-----|
| X. | ±0.30 | X' | ±2' |
| X | ±0.25 | X.X' | ±1' |
| XX | ±0.15 | | |
| .XXX | ±0.10 | | |

| | |
|---------------------|-------------|
| g/f | 27-0015-01 |
| MIN. GOLD THICKNESS | PART NUMBER |

JS HAOGUO(Zhongxiang) Limited Company

Customers Drawing

TITLE: FEMALE HEADER P-2.0mm 1*4PIN V/T DIP

Part No. Drawing No. UNIT mm SIZE A4

C-27-0015

Scale 1 : 1

Sheet 1 of 1

Third Angle Protection