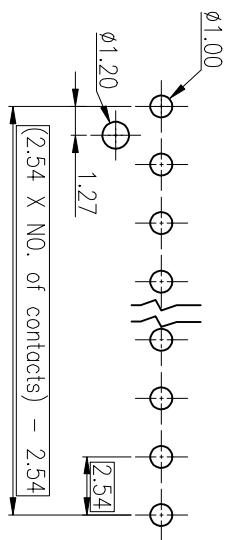
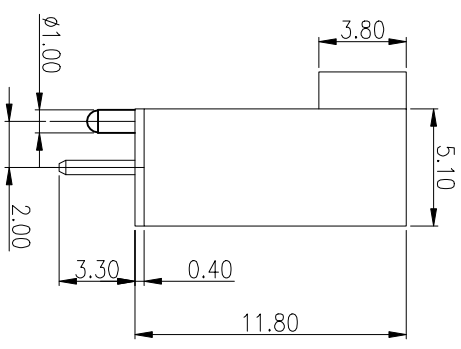
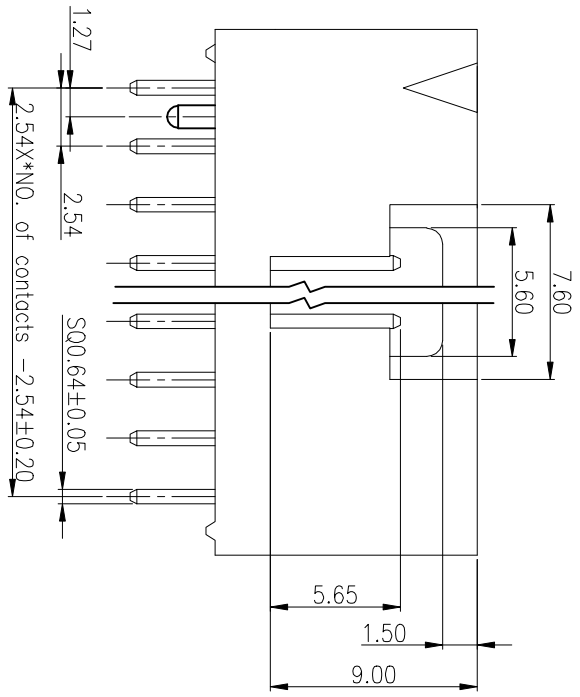
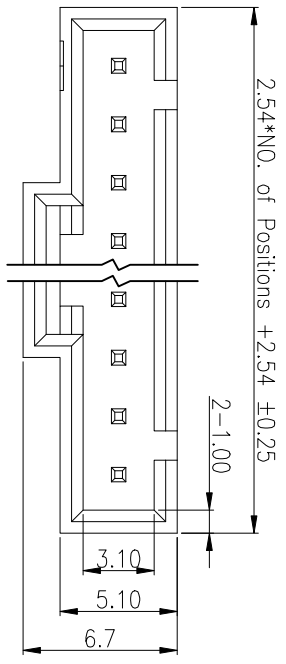


REV.	DESCRIPTION	DATE	DMN	APD
A	RELEASED	27MAY09	MD	DZ

- NOTES:
- MATERIAL: NY6T UL94 V-0, COLOR: BLACK.
HOUSING: BRASS.
 - CONTACTS: GOLD FLASH OVER 1.27um [50μ"] MIN. NICKEL PLATED.
 - ELECTRICAL: CONTACT RESISTANCE: 30 mΩ MAX.
INSULATION RESISTANCE: 1000 MΩ MIN,
DIELECTRIC WITHSTANDING: 1000V AC
CURRENT RATING: 4 A MAX.
VOLTAGE RATING: 250 VAC.
 - ENVIRONMENTAL: OPERATING TEMPERATURE: -40° TO +105°C



QTY	DESCRIPTION	REF	QTY	DESCRIPTION	REF	QTY	DESCRIPTION	REF
0.8625	1*5	CC0211805IB0T050	05-0004-03					
0.767	1*4	CC0211804IB0T050	05-0004-02					
0.725	1*3	CC0211803IB0T050	05-0004-01					
WEIGHT	POLES	OLD PRAT NO.	NEW PRAT NO.					

Zhongxiang Electron Science CO.,LTD

CDIN CONNECTOR VERTICAL, DIP.

DMN	27MAY2009	CHK	MICHAEL DONG
APD	27MAY2009	CHK	GAVIN CHEN
APD	27MAY2009	CHK	DAVID ZHONG
PRODUCT SPEC	JS-GC03137-A1	APPLICATION SPEC	CDIN-01-01
MATERIAL	SEE NOTE	FINISH	SEE NOTE
PROJECTION	SEE NOTE	PROJECTION	SEE NOTE
WEIGHT	SEE TABLE	WEIGHT	SEE TABLE
DIMENSIONS:	MM	DIMENSIONS:	MM

SIZE	A3	DRAWING NO	C-05-0004
CUSTOMER DRAWING	SCALE	SHEET	1 OF 1
REV	A		

8 7 6 5 4 3 2 1