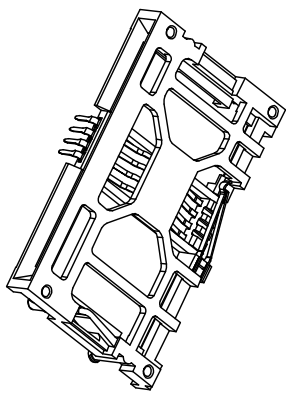
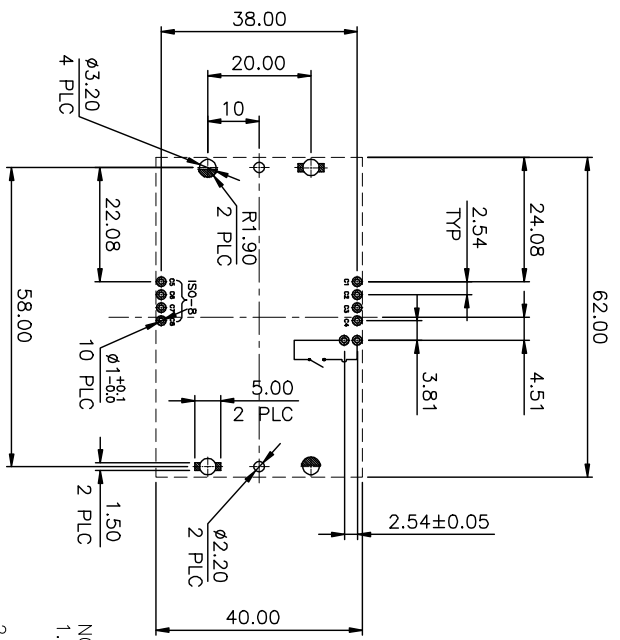
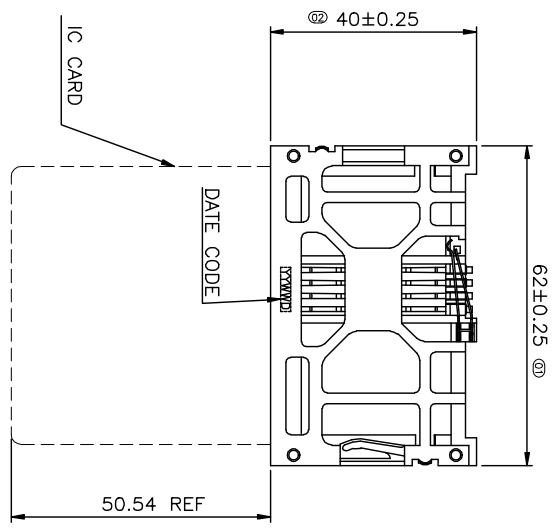
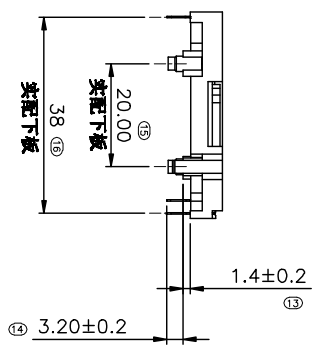
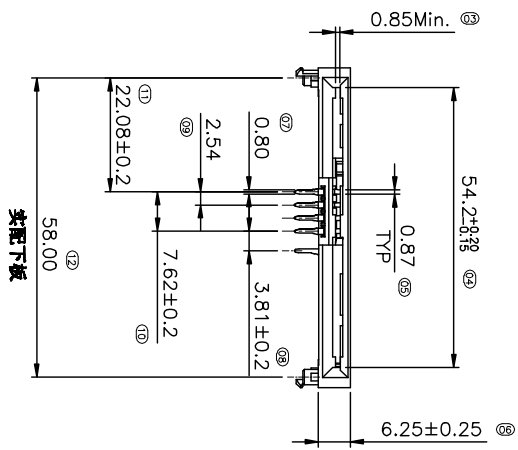


REV.	DESCRIPTION	DATE	DWV	APVD
A	REFERENCE	12AUG2011	AL	WZ



TOLERANCE: ±0.05
RECOMMENDED PCB LAYOUT

- NOTE:
- MATERIAL:
HOUSING: PBT, UL 94V-0, COLOR: BLACK.
CONTACTS: PHOSPHOR BORNEZE.
 - FINISH:
CONTACTS & SPRING & BREAK CONTACT: GOLD PLATED ON CONTACT AREA, BRIGHT-TIN ON SOLDER TAIL, WITH ENTIRE CONTACT UNDERPLATED NICKEL.
 - DATE CODE : YYWWD



15μ"	14-0007-03
5μ"	14-0007-02
GOLD FLASH	14-0007-01
MIN. GOLD THICKNESS	PART NUMBER

Zhongxiang Electron Science CO.,LTD

SMART CARD CONNECTOR H:1.4mm

TOLERANCES UNLESS OTHERWISE SPECIFIED:		DWV		NAME	
0 PLC	±	24AUG2011	24AUG2011	DR	Abel
1 PLC	±0.3	CHONG-JIANG			
2 PLC	±0.2	APD			
3 PLC	±0.15	WEI ZHANG			
4 PLC	±0.15	PRODUCT SPEC			
ANGLES	±	24AUG2011			
MATERIAL SEE NOTE		APPLICATION SPEC			
FINISH SEE NOTE		WEIGHT			
PROJECTION SEE NOTE		DIMENSIONS: MM			
PROJECTION		SIZE		DRAWING NO	
PROJECTION		A3		C-14-0007	
PROJECTION		CUSTOMER DRAWING		SCALE	
PROJECTION		SCALE		SHEET 1 OF 1	
PROJECTION		RESTRICTED TO		REV A	

8 7 6 5 4 3 2 1