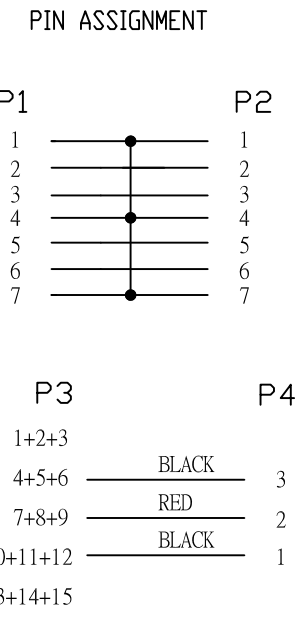
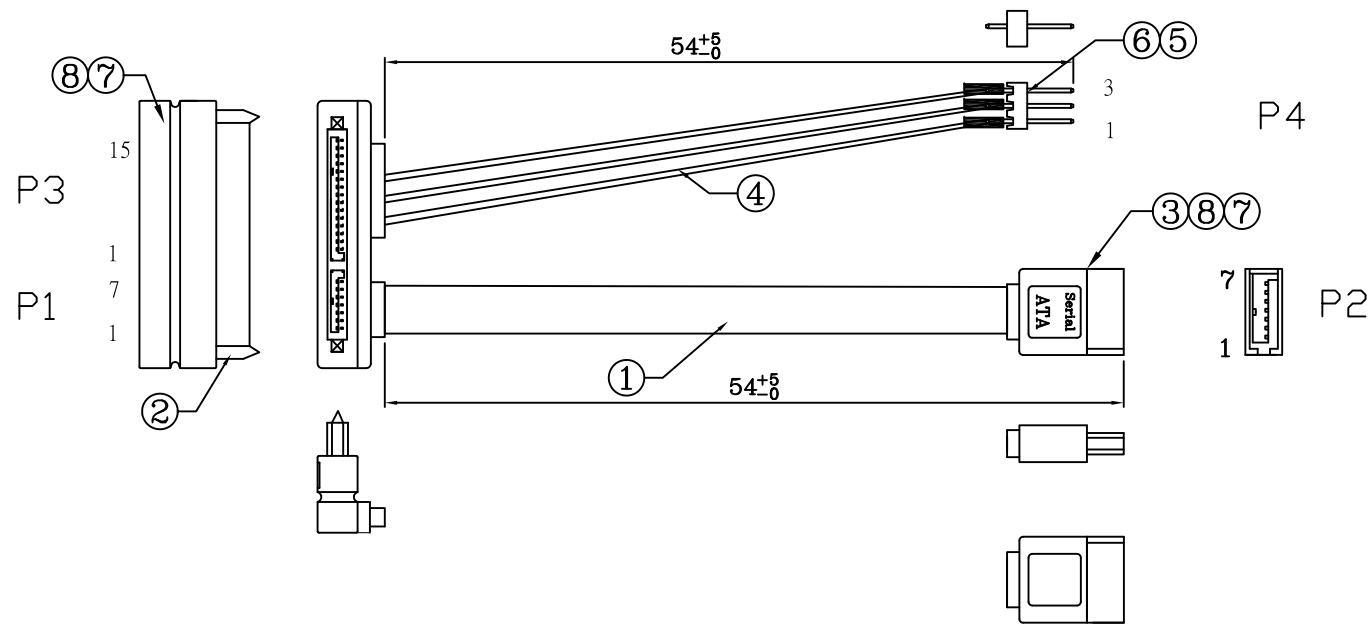


REV.	DESCRIPTION	DATE	DWN	APVD
R	PRELIMINARY	13SEP2012		



ELECTRICAL SPECIFICATION:
 1.CABLE ASS'Y MUST PASS 100% TEST FOR OPEN,SHORT,MISWIRE.
 2.CONTACT RESISTANCE 3 Ohm MAX
 3.INSULATION RESISTANCE:10MΩ

J26-0124-01
 PART NUMBER

ITEM	DESCRIPTION	Q'TY	PART NAME	VENDER	REMARK
⑧	45P PVC BLACK	10G	PVC		
⑦	LE-PE #WHITE	6G	PVC		
⑥	H. S. TUBE BLACK φ1.5*30mm	3PCS	TUBE		
⑤	PH2.54mm,3P,180° WAFER.	1PCS	WAFER		
④	UL1007 24AWG RED BLACK	EA	WIRE		
③	SATA 7P W/LOCK, G/F. JHF	1PCS	CONN2		
②	SATA 7+15, BLACK LCP, G/F. JHF	1PCS	CONN1		
①	SATA CABLE(1/0.254*2+AL+2D*2C DD:1.85*5.8mm RED	EA	CABLE		

TOLERANCES UNLESS OTHERWISE SPECIFIED:		DWN	13SEP2012	HAOGUO XING YE SHARE CO.,LTD.	
0 PLC ± -	WEI	CHK			
1 PLC ± 0.3		APVD			
2 PLC ± 0.15		PRODUCT SPEC			
3 PLC ± 0.1		APPLICATION SPEC		NAME	
4 PLC ± -				SATA 22P TO SATA 7P+3P WAFER	
ANGLES ± 3'				SIZE	DRAWING NO
MATERIAL	SEE NOTE			A3	J26-0124
FINISH	SEE NOTE			WEIGHT	- GRAMS
PROJECTION				DIMENSIONS:	MM
				CUSTOMER DRAWING	SCALE -
				SHEET	1 of 1
				REV	R

8 7 6 5 4 3 2 1