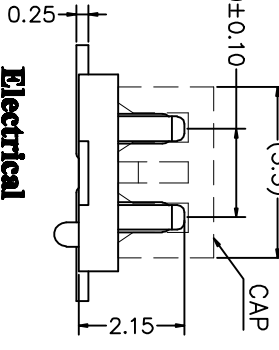
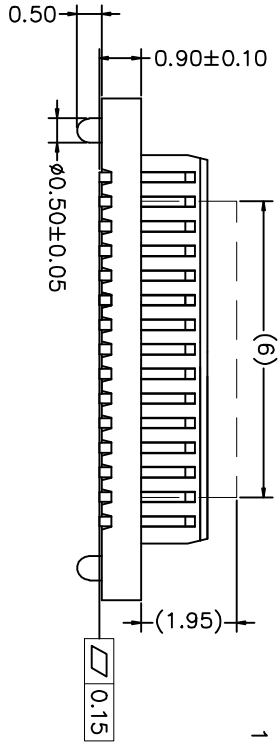
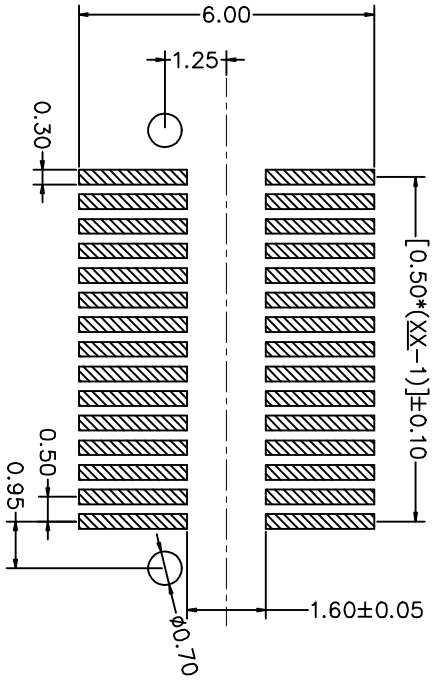
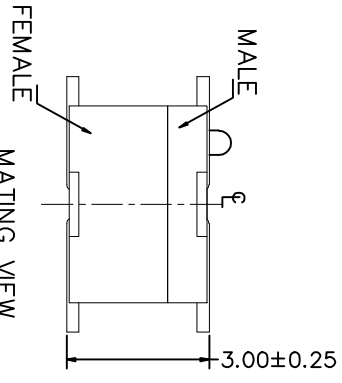
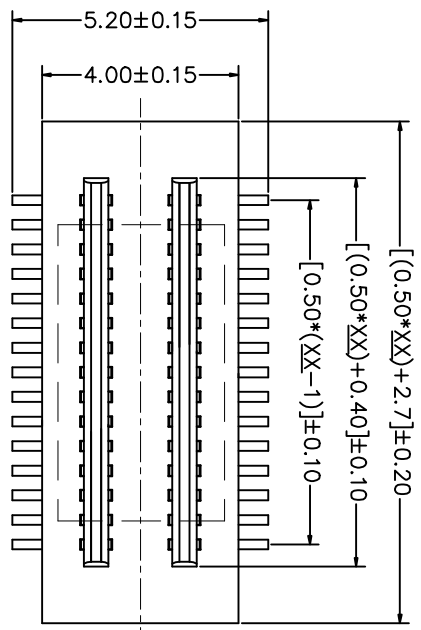


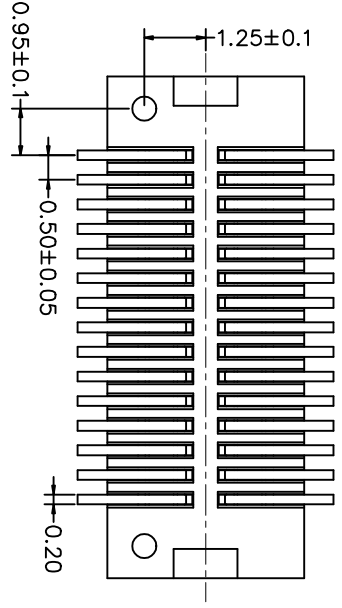
REV.	DESCRIPTION	DATE	DMN	APVD
R4	Revised post side	04FEB2013	John	
R5	Revised	18JUL2013	John	
R6	Revised	14AUG2013	John	
R7	ADD CAP DIMENSIONS	20NOV2013	John	



RECOMMENDED P.C.BOARD  
PATTERN DIM(REF)

PART NUMBER	PIN NO.
J13-0036-05	2x5
J13-0036-06	2x6
J13-0036-08	2x8
J13-0036-10	2x10
J13-0036-12	2x12
J13-0036-13	2x13
J13-0036-15	2x15
J13-0036-16	2x16
J13-0036-20	2x20
J13-0036-25	2x25
J13-0036-50	2x30

**Electrical**  
**Voltage: 50V AC(RMS)/DC**  
**Current: 0.5A AC(RMS)/DC**  
**Contact Resistance: 50m Ω max**  
**Insulation Resistance: 50M Ω min**  
**Dielectric Withstanding Voltage: 250VAC/RMS**  
**Operating Temp: -20℃~+85℃**  
**Materials**  
**Housing: High temperature Plastic UL 94V-0, white**  
**Terminal: Copper Alloy**  
**Plating : Gold Flash**



8 7 6 5 4 3 2 1

TOLERANCES UNLESS OTHERWISE SPECIFIED:		DMN	16 OCT2012
0 P.L.C	± -	CHK	
1 P.L.C	± 0.3	APPD	
2 P.L.C	± 0.2	PRODUCT SPEC	
3 P.L.C	± 0.15	APPLICATION SPEC	
4 P.L.C	± -	MATERIAL	SEE NOTE
ANGLES	± 3°	FINISH	SEE NOTE
PROJECTION		DIMENSIONS: MM	
HAOGUO XING YE SHARE CO.,LTD.		NAME	
Board To Board Connector Pitch 0.50mm Male		Board To Board Connector Pitch 0.50mm Male	
H=0.90mm		SIZE	
A3		DRAWING NO	
CUSTOMER DRAWING		J13-0036	
SCALE		RESTRICTED TO	
SHEET 1 of 1		REV R7	