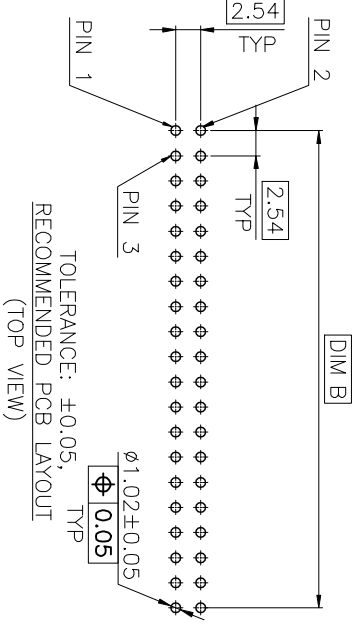
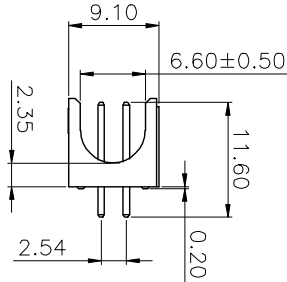
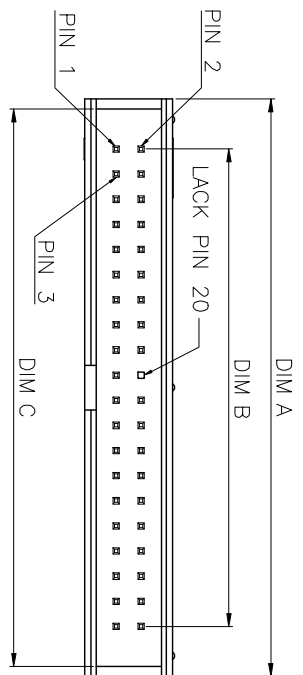
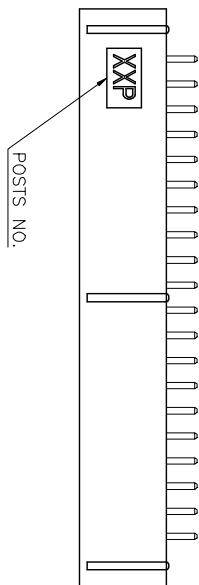


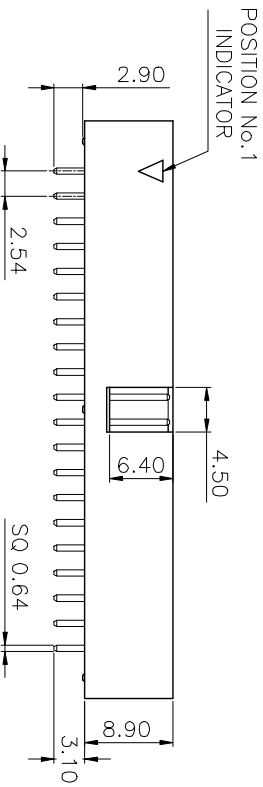
REV.	DESCRIPTION	DATE	DMN	APD
A2		15Jan10	BEN	JY
A3		17JulY13	XU	DZ

- NOTES:
- MATERIAL:
HOUSING: (SEE TABLE), UL94V-0, (SEE TABLE) COLOR.
POSTS: COPPER ALLOY.
 - POSTS:
POSTS: GOLD FLASH OVER 50μ" MIN. NICKEL PLATED.
 - ELECTRICAL:
CONTACT RESISTANCE: 30 mΩ Max.
DIELECTRIC WITHSTANDING VOLTAGE: 1000V AC
CURRENT RATING: 3 A.
 - ENVIRONMENTAL:
OPERATING TEMPERATURE: -55°C TO +105°C



TOLERANCE: ±0.05, TYP
RECOMMENDED PCB LAYOUT
(TOP VIEW)

COLOR	MATERIAL	LACK PIN	POSTS NO.	DIM C	DIM B	DIM A	PART NUMBER
WHITE	PBT (HF)	-	34	48.70	40.64	50.80	04-0013-07
BLACK	PA6T	20 [#]	40				04-0013-06
BLACK	PBT	20 [#]	40				04-0013-05
WHITE	PBT	-	40	56.32	48.26	58.42	04-0013-04
BLUE	PA6T	20 [#]	40				04-0013-03
BLUE	PBT	-	40				04-0013-02
293C	PBT	-	40				04-0013-01



POSITION No.1
INDICATOR

Zhongxiang Electron Science CO.,LTD

CHK: BEN_Chen 15JAN2010
APP: Goyin_Chen 15JAN2010
PRODUCT SPEC: Jocky_Yang
APPLICATION SPEC: JS-GC03135-A1

FINISH: SEE NOTE
PROJECTION: SEE NOTE

SIZE: DRAWING NO. A3 C-04-0013
CUSTOMER DRAWING SCALE: 1 OF 1 SHEET 1 REV A3

RESTRICTED TO

8 7 6 5 4 3 2 1

A

B

B

C

C

D

D