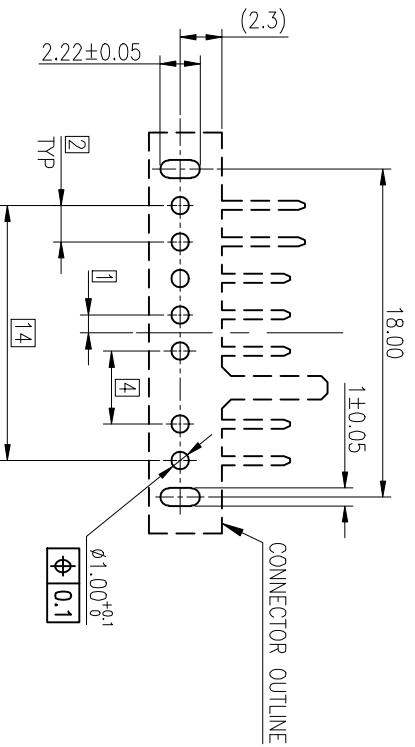
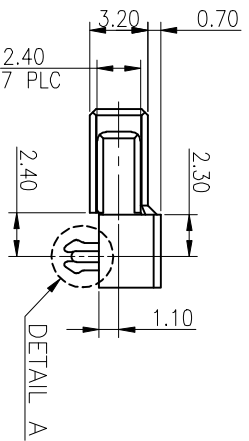
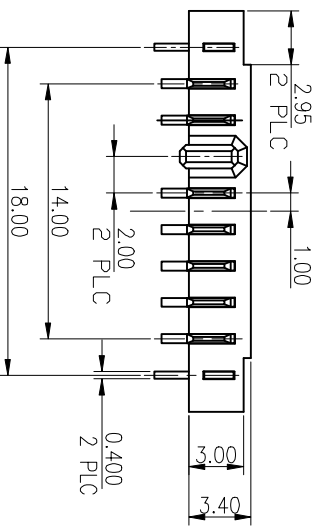
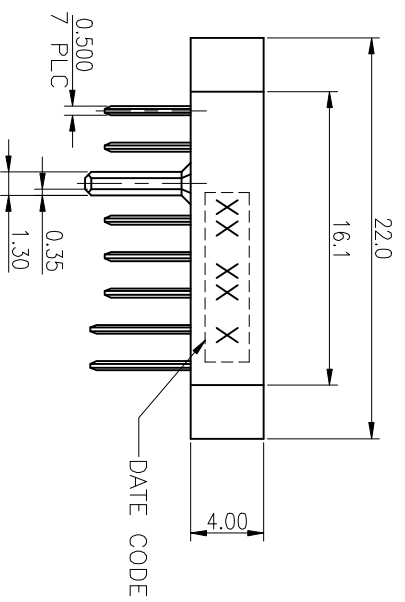


REV.	DESCRIPTION	DATE	DMN	APD
B	RELEASED	13Aug10	AY	JY

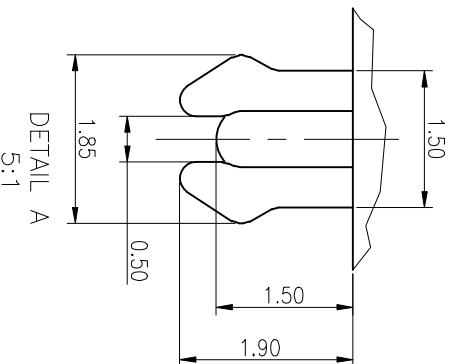
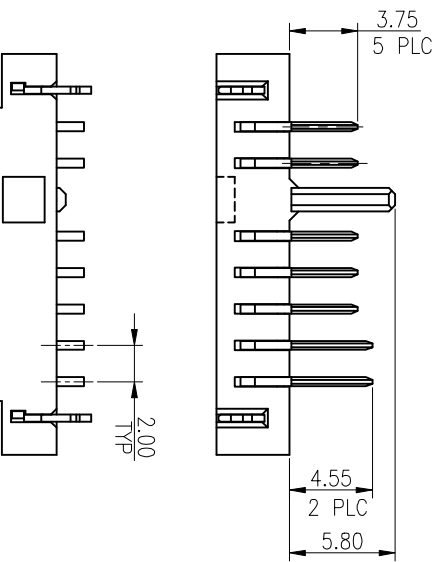
NOTE:

- MATERIAL:
HOUSING: PA9T+30% GF, UL 94V-0, BLACK COLOR.
CONTACTS: BRASS
BOARDLOCKS: BRASS
- FINISH:
CONTACTS: GOLD FLASH OVER 1.27 μ m [50 μ] MIN. NICKEL ON ENTIRE CONTACT
BOARDLOCKS: 2.54 μ m [100u"] MIN. MATTE-TIN OVER 1.27 μ m [50u"] MIN. NICKEL ON ENTIRE BOARDLOCK.



TOLERANCE: ±0.05, THICKNESS: 1.2mm
RECOMMENDED PCB LAYOUT
(TOP VIEW)

02-0001-01
PART NUMBER



TOLERANCES UNLESS OTHERWISE SPECIFIED:		DIM		NAME	
0 PLC	±	13Aug2009	ANDY XIAO	Zhongxiang Electron Science CO.,LTD	
1 PLC	±0.3	13Aug2009	GAVIN CHEN	Battery 7P H=3.40 Plug STD R/A	
2 PLC	±0.2	13Aug2009	JACKY YANG	2.0 Pitch	
3 PLC	±0.15				
4 PLC	±				
ANGLES	± 3°				
MATERIAL: SEE NOTE		APPLICATION SPEC		SIZE: DRAWING NO	
FINISH: SEE NOTE		BATTERY-01-01		C-02-0001	
PROJECTION: SEE NOTE		WEIGHT: 0.9104g		SCALE: —	
DIMENSIONS: MM		CUSTOMER DRAWING		SHEET 1 OF 1	
				REV B	
				RESTRICTED TO	